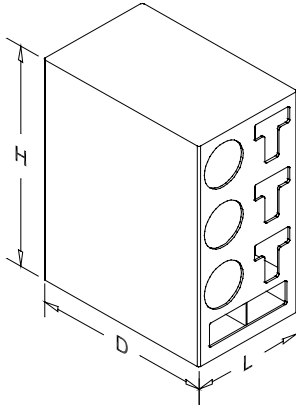




ACRYLIC ACCESSORIES

SHOPCO U.S.A. INC.

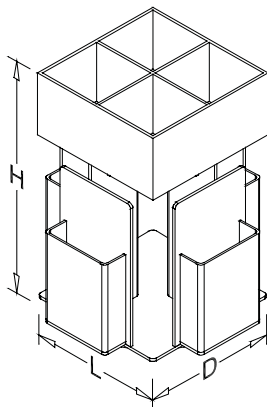


Cup Tower

5810-XXXXXXX-XX

Features:

- Holds cups, lids and straws
- Standard stock color is white
- Features one size fits all cup dispensers
- Made from ABS material
- 3 & 4 cup dispenser models
- Available in many sizes; call for more information

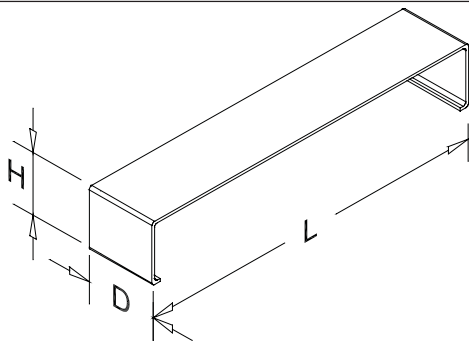


Rotating Counter Top Lid/Straw Dispenser

5850-XXXXXXX-XX

Features:

- "Lazy-Susan" design rotates 360 Degrees
- Available in 3 sizes
- 2 level unit for cold drinks shown in photo
- Hot drink unit: 9 in. L X 12 in. D X 14 in. H
- Cold drink unit: 10 in. L X 10 in. D X 11 in. H
- 2 level cold drink unit: 10 in. L X 10 in. D X 16 in. H
- Made from clear acrylic

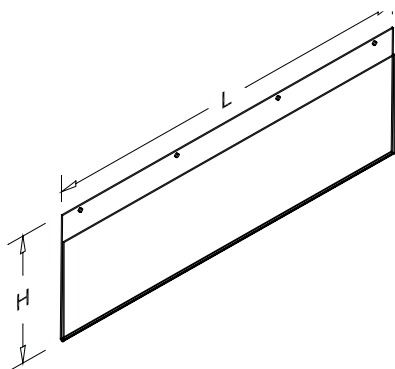


Cup Cover

5820-XXXXXXX-XX

Features:

- For use when counter top does not extend over cups
- Available in 24, 30, 32 & 36 in. lengths
- Depth: 6 in.
- Height: 8 in.
- Made from clear acrylic



Magazine Display

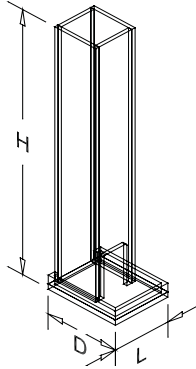
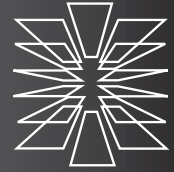
5959-XXXX012-00

Features:

- Displays featured magazines
- Available in 24 & 36 in. lengths
- Height: 12 in.
- Mounts to top of 5 & 10 tier magazine racks

ACRYLIC ACCESSORIES

SHOPCO U.S.A. INC.

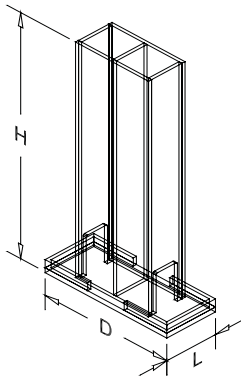


Single Sided Condiment Dispenser

5957-0405XXX-00

Features:

- 4 in. length
- 5 in. depth
- Available 18 & 24 in. heights
- Made from clear acrylic

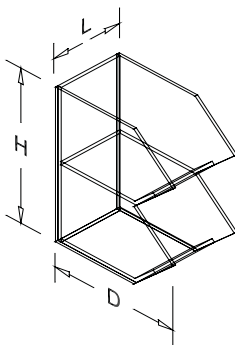


Double Sided Condiment Dispenser

5958-0410XXX-00

Features:

- 4 in. length
- 10 in. depth
- Available 18 & 24 in. heights
- Made from clear acrylic

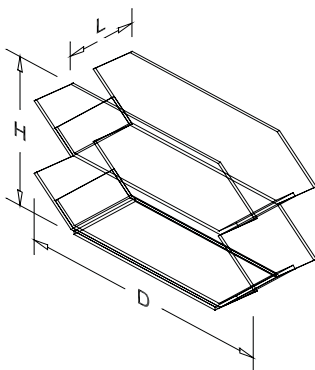


Single Sided Condiment Tray

5955-0509011-00

Features:

- One size: 5 in. L X 9 in. D X 11 in. H
- Stackable
- Made from clear acrylic



Double Sided Condiment Tray

5955-0518011-00

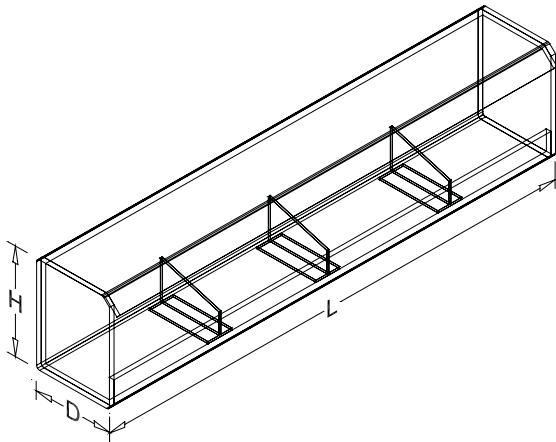
Features:

- One size: 5 in. L X 18 in. D X 11 in. H
- Stackable
- Made from clear acrylic



ACRYLIC ACCESSORIES

SHOPCO U.S.A. INC.

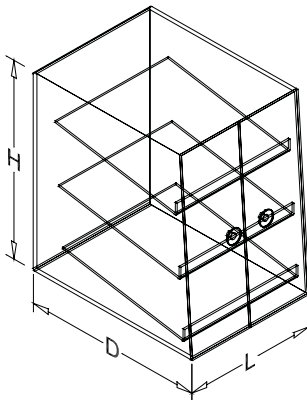


Condiment Tray

5890-XXXXXXX-XX

Features:

- 3/8 in. thick acrylic
- Available in 24, 30 & 36 in. lengths
- Depth: 6 in.
- Available in 6 & 8 in. heights
- Made from clear acrylic
- This condiment tray is designed for custom wood counters (See page 91 for KD Metal condiment tray)

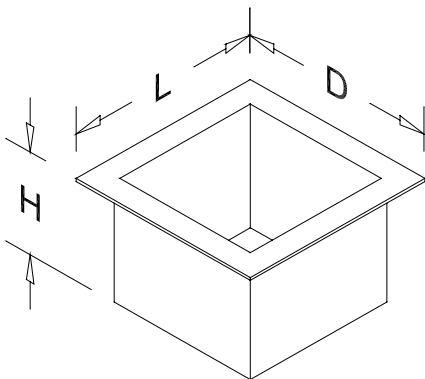


Pastry Case

5820-1621024-00

Features:

- 3 shelves
- 16 in. L X 21 in. D X 24 in. H
- Custom sizes available
- Made from clear acrylic



Counter Top Trash Chute Liner

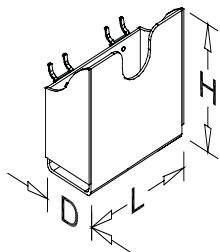
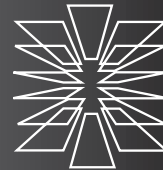
5835-XXXXXXX-XX

Features:

- Fits in counter top to direct trash
- Made from Black ABS material
- 6 in. L X 6 in. D
- Available 6 & 12 in. heights

ACRYLIC ACCESSORIES

SHOPCO U.S.A. INC.

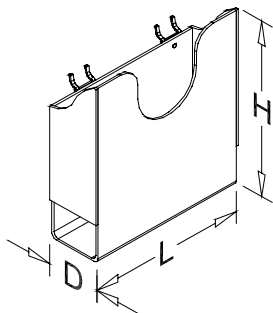


Literature Pocket - TV Guide

5865-0602005-00

Features:

- Designed to hold TV size literature
- 6 in. L X 2 in. D X 5 in. H
- Made from clear acrylic

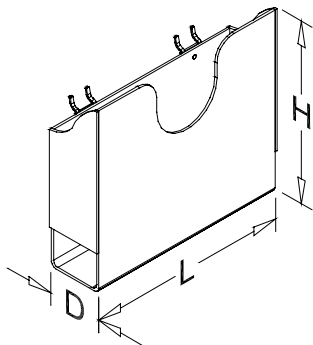


Literature Pocket - Magazine/Map Book

5865-0802009-00

Features:

- Designed to hold magazines/map books
- 8.5 in. L X 2 in. D X 9 in. H
- Made from clear acrylic

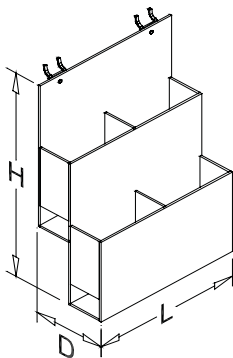


Literature Pocket - Tabloid/Atlas

5865-1003009-00

Features:

- Designed to hold larger tabloid/atlas literature
- 10 in. L X 3 in. D X 9 in. H
- Made from clear acrylic



Literature Pocket - Maps/Credit Applications

5865-0904012-00

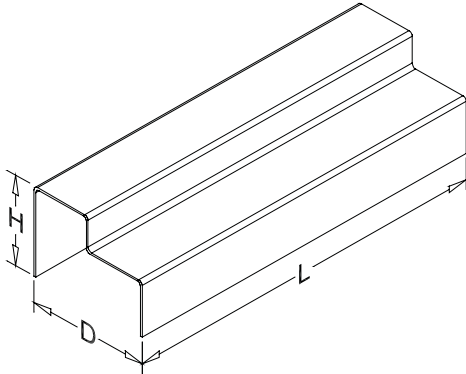
Features:

- 2 tiers with four pockets
- Designed to hold maps/credit applications
- 9 in. L X 4 in. D X 12 in. H
- Made from clear acrylic



ACRYLIC ACCESSORIES

SHOPCO U.S.A. INC.

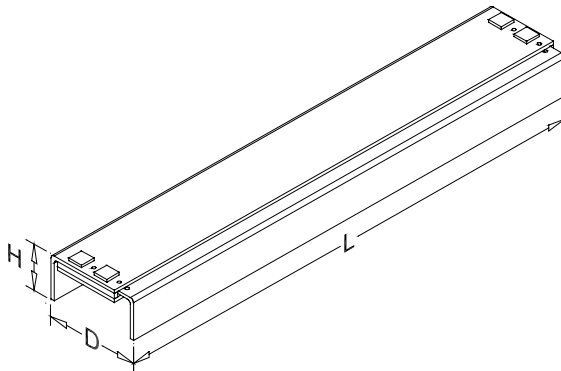


2 Step Riser

5875-3508004-00

Features:

- Use to raise product in the back of a shelf
- 35 in. L X 8 in. D X 4 in. H
- Made from clear acrylic

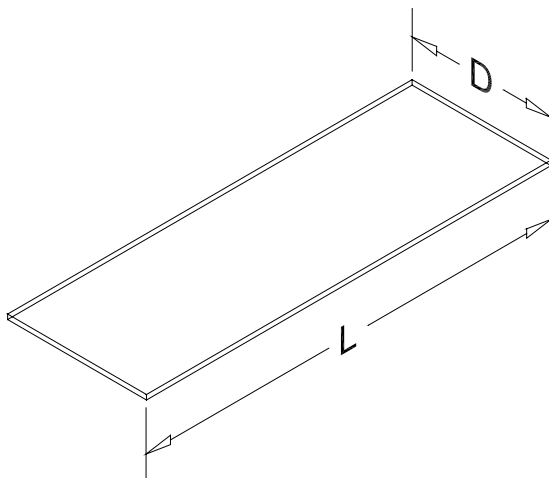


Adjustable Shelf Filler

5873-35XX002-00

Features:

- Used to push product forward on less merchandised shelves
- 35 in. L X 2 in. H
- Adjustable depth 6 - 8 in.
- Made from clear acrylic



Convenience Rail Cover

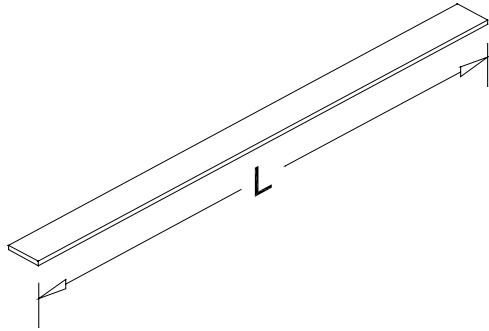
1900-XXXXXXX-XX

Features:

- Acrylic cover for convenience rail (see page 78)
- Available in 2, 3 & 4 ft. lengths
- Made from clear acrylic

ACRYLIC ACCESSORIES

SHOPCO U.S.A. INC.

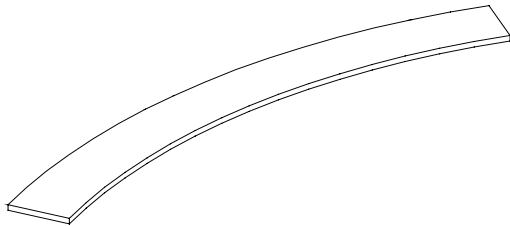


Neon Trim for All Straight Units

2350-XXXXXXXX-XX

Features:

- Available in 2, 3 & 4 ft. lengths
- Available colors: red, yellow, green & blue
- Made from glowing fluorescent acrylic

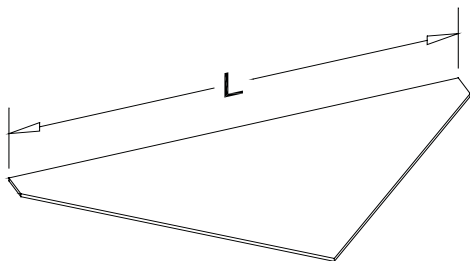


Neon Trim for 1/8 Circle Gondola Units

2350-XXXXXXXX-XX

Features:

- Available for inside and outside curved units
- Available colors: red, yellow, green & blue
- Made from glowing fluorescent acrylic



Neon Trim for 90 Degree Triangle End Cap Units

2340-XXXXXXXX-XX

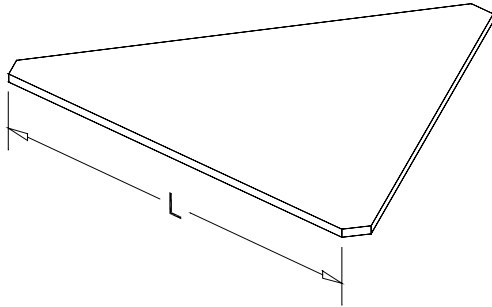
Features:

- Available for end caps with 2 & 3 ft. sides
- Available colors: red, yellow, green & blue
- Made from glowing fluorescent acrylic



ACRYLIC ACCESSORIES

SHOPCO U.S.A. INC.

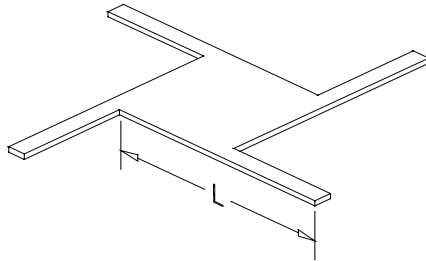


Neon Trim for 60 Degree Triangle Units

2340-XXXXXXX-XX

Features:

- Custom made for 60 degree triangle gondolas
- Available for triangles with 2 & 3 ft. sides
- Available colors: red, yellow, green & blue
- Made from glowing fluorescent acrylic

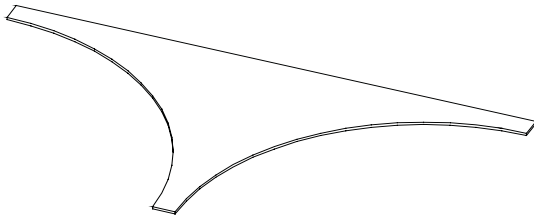


Neon Trim for 4-Way Units

2355-XXXXXXX-XX

Features:

- Custom made for 4-way gondolas
- Available for 4-way units with 2 & 3 ft. sides
- Available colors: red, yellow, green & blue
- Made from glowing fluorescent acrylic

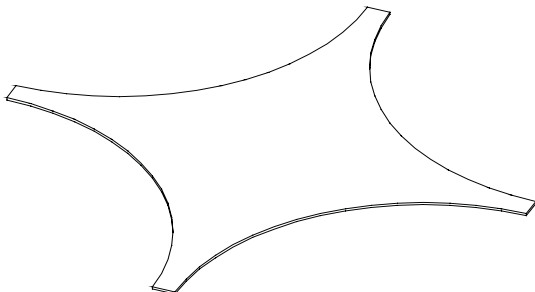


Neon Trim for Split-T Gondola Units

2336-3672XXX-XX

Features:

- Custom made for split-T gondolas
- Available colors: red, yellow, green & blue
- Made from glowing fluorescent acrylic



Neon Trim for Cloverleaf Gondola Units

2334-7272XXX-XX

Features:

- Custom made for cloverleaf gondolas
- Available colors: red, yellow, green & blue
- Made from glowing fluorescent acrylic