



CUSTOM MILLWORK

SHOPCO U.S.A. INC.

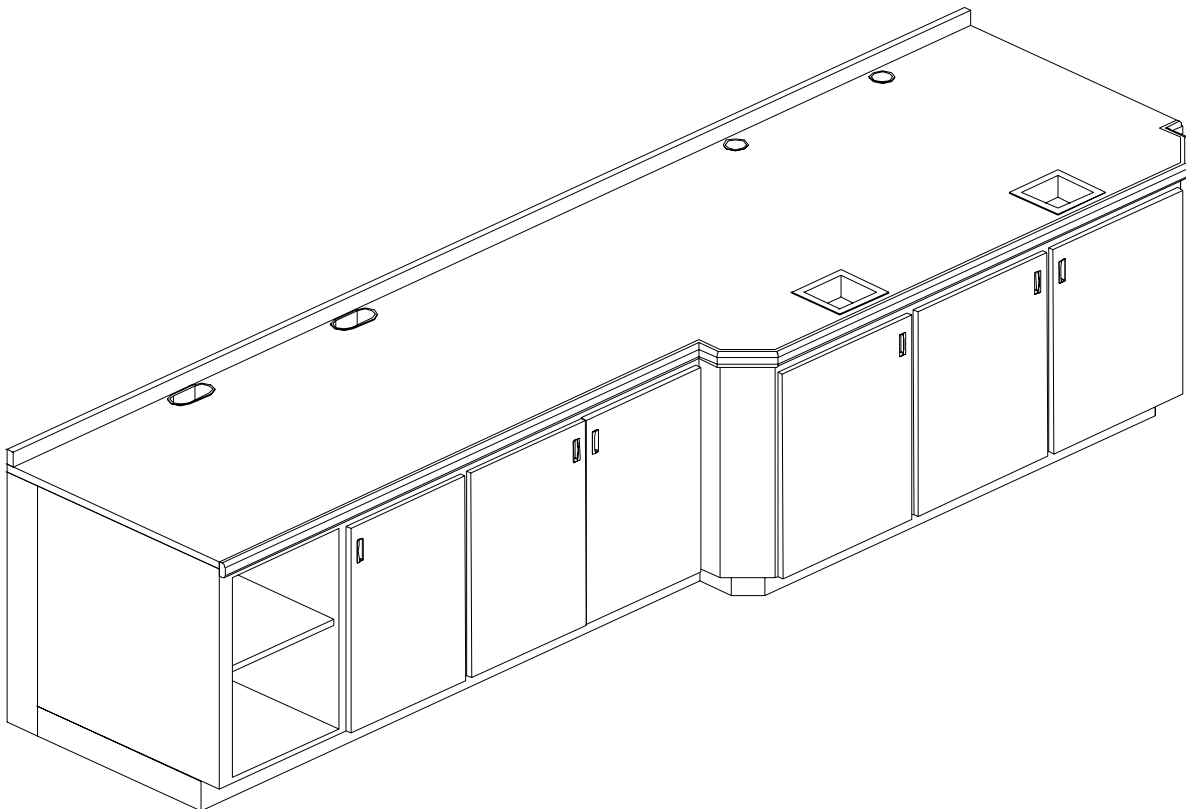
Beyond our standard metal cabinetry, SHOPCO provides custom wood fixtures. If you can imagine it, we can build it. Listed below are a few ideas where you can take advantage of SHOPCO's custom millwork.

Beverage Counters
Prep Islands
Side Counters
Security Cabinets

Food Service Counters
Display Cases
Bakery Cases
Seating Areas

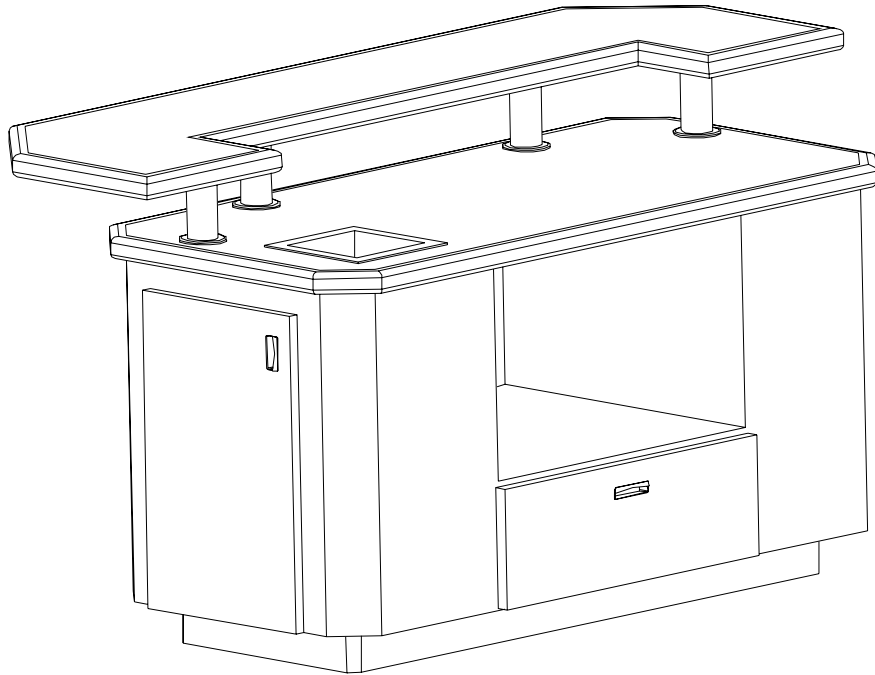
SHOPCO also produces custom counter tops. We offer plastic laminate, solid surface and stainless steel counter tops. Solid surface counter tops can be made with the following finishes: Corian, WilsonArt, Hi-Macs, Montelli, Gibraltar and other manufacturers.

Additionally, SHOPCO is willing to work with your design and graphic firms to ensure everything will fit just right!

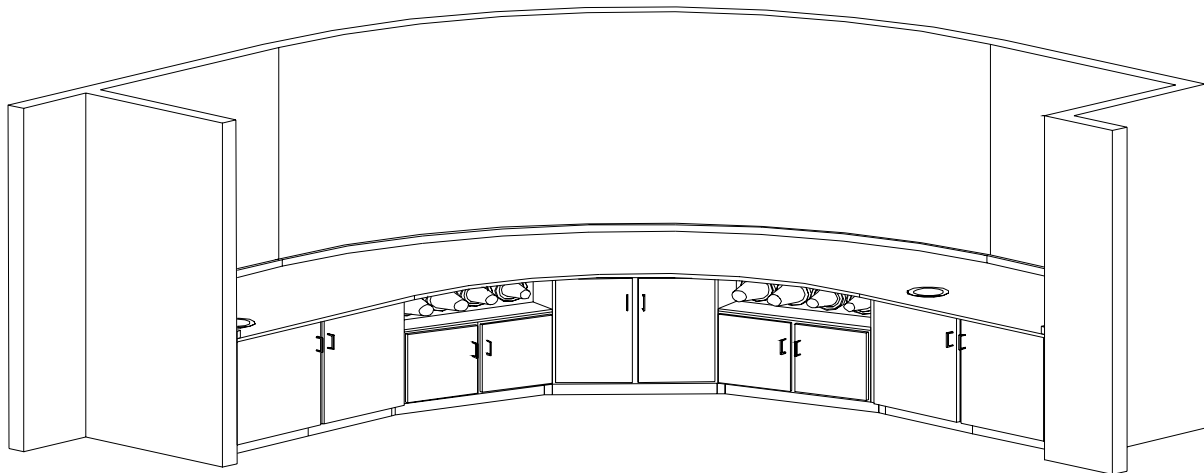


CUSTOM MILLWORK

SHOPCO U.S.A. INC.



As the popularity of condiment and beverage islands increases, so does the need to make your island stand out. The above illustration is a condiment/"Fix it yourself" island, but this design goes above and beyond the norm. This island includes a stand-up eatery in addition to the preparation area. This unit is also complete with a microwave enclosure and trash chute.

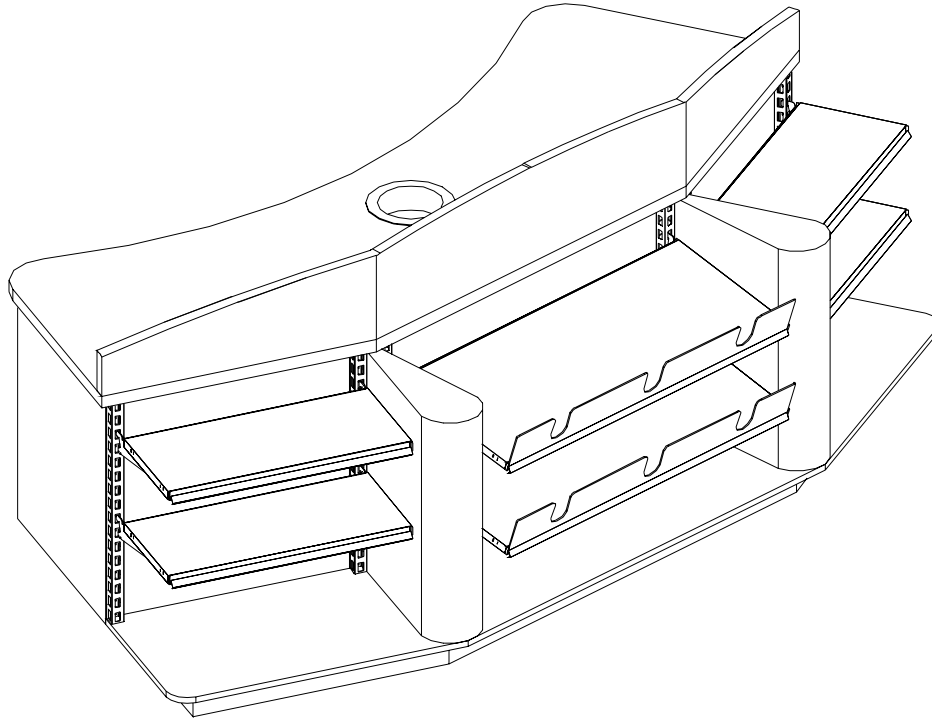


Sometimes the simple solution is the best. However, simple might not always be an option. The drawing above is your basic beverage/fast-food area designed to fit a specific interior curved area. Whether your needs are very simple or very complex, SHOPCO's custom millwork will meet your requirements.

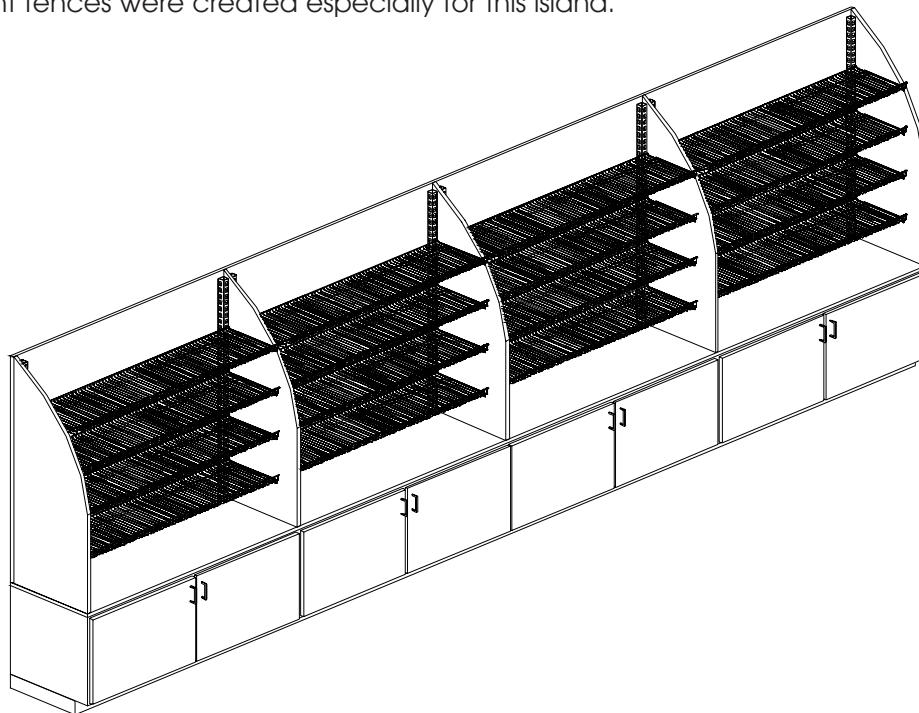


CUSTOM MILLWORK

SHOPCO U.S.A. INC.



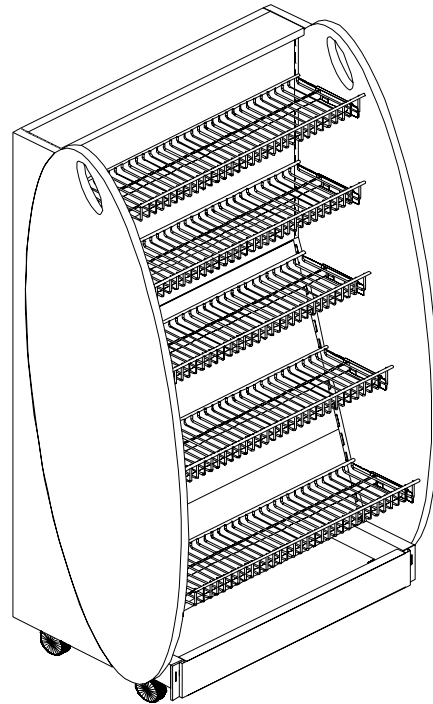
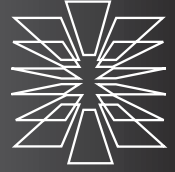
Another unique aspect of the SHOPCO system is that custom millwork can easily be incorporated with our traditional shelving system. Here we simply added uprights and metal shelves to the custom wood design. Custom acrylic front fences were created especially for this island.



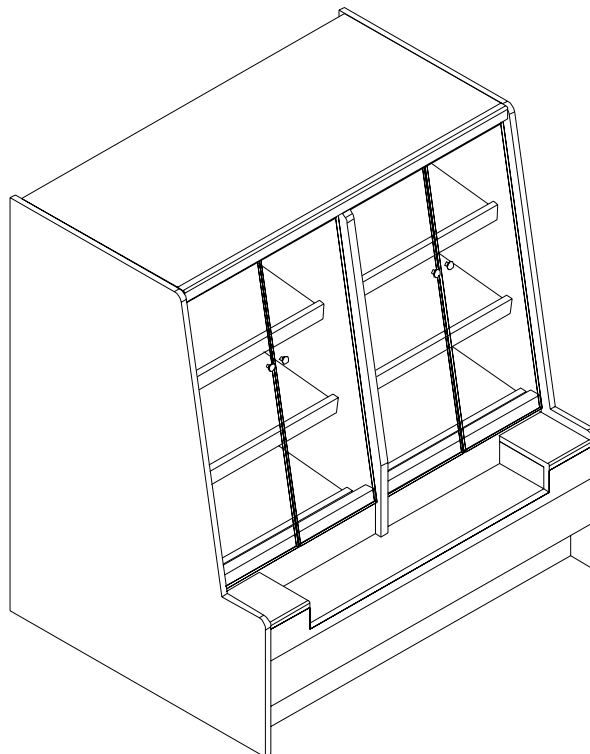
The above picture illustrates custom wall units with standard SHOPCO uprights and wire shelves to offer the retailer a rich, custom look, plus full functionality and flexibility in merchandising.

CUSTOM MILLWORK

SHOPCO U.S.A. INC.



This mobile end cap is made from our standard L-Foot end cap and then custom wood accents are added to create a lavish upscale look and feel.



While most of our custom millwork concerns the beverage and fast-food areas, SHOPCO can design any fixture for a C-store. This drawing illustrates a custom wood bakery case with mirror finish interior and lights.