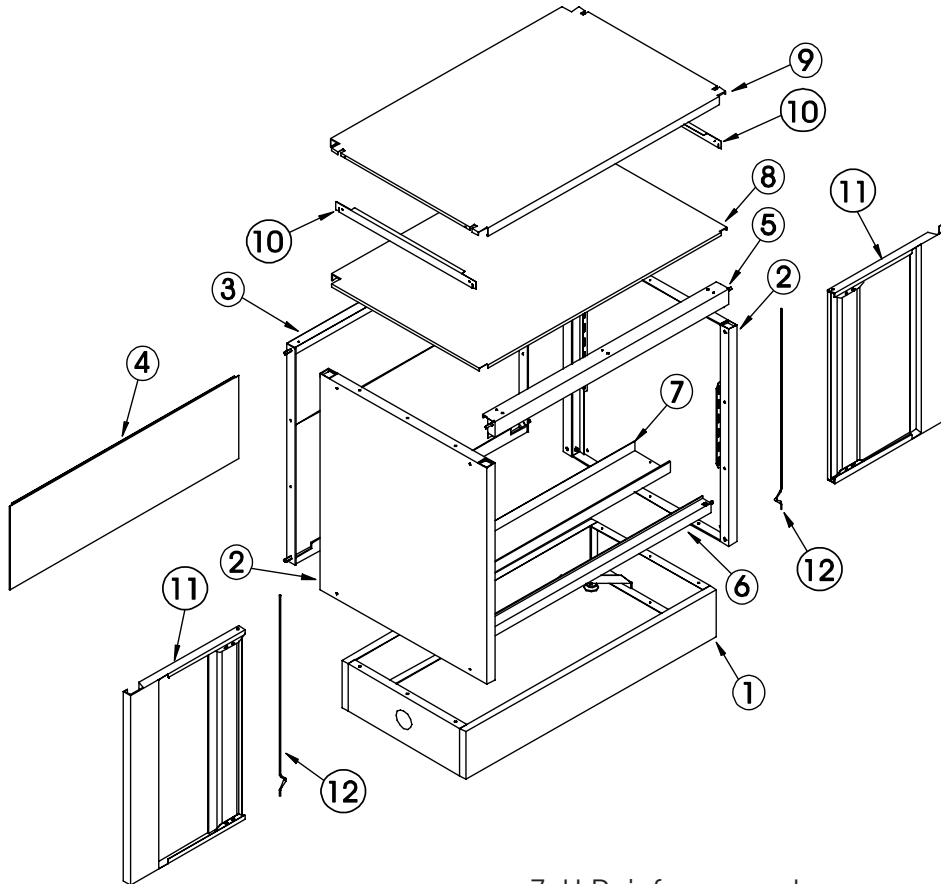




METAL CABINET SYSTEM

SHOPCO U.S.A. INC.

Exploded View Two Door Prep Unit



1. Base
2. End Panel
3. Back panel
4. Back Panel Filler (optional)
5. Supporting Top Rail
6. Supporting Bottom Rail

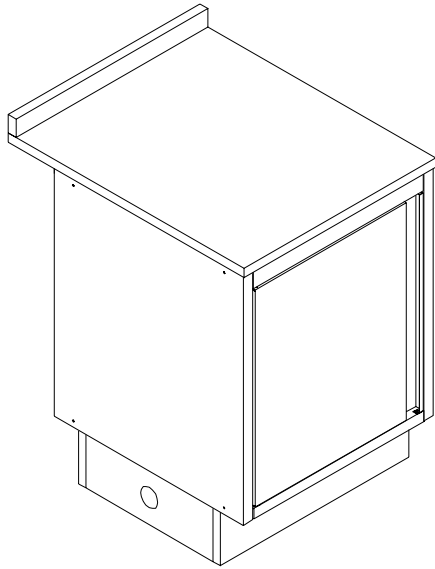
7. U-Reinforcement
8. Base Shelf
9. Adjustable Interior Shelf
10. Shelf Bracket
11. Door
12. Hinge

Cabinet System Features:

- Variety of cabinet lengths and depths
- Standard cabinet bodies are 33 in. high including the 6 in. base for a total cabinet height of 34 in. with a 1 in. thick counter top
- Wide variety of cabinet tops available, including plastic laminate, stainless steel and solid surface
- Removable base shelves and adjustable interior shelves
- Standard cabinets include back panels with openings to access electrical and plumbing chase (Optional back panel fillers available)
- Counter tops fabricated per layout (not individual unit) to minimize seams
- Standard counter top design is 6 in. deeper than cabinet body to provide electrical and plumbing chase
- Standard stock of cabinets in white; custom colors available

METAL CABINET SYSTEM

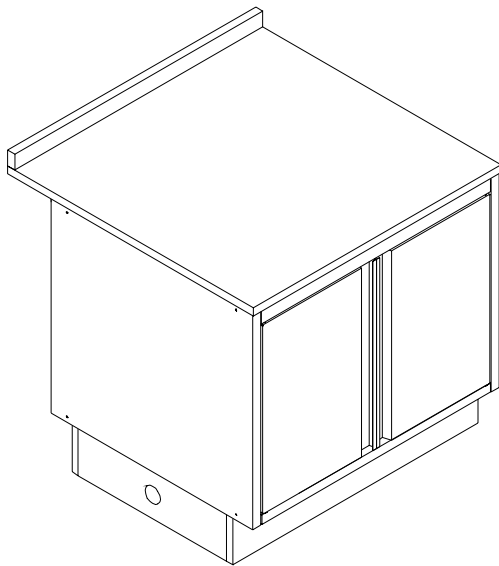
SHOPCO U.S.A. INC.



One Door Prep Unit

Features:

- Available in 12, 18 & 24 in. lengths
- Available in 18, 24 & 30 in. depths
- Standard height 33 in. (excluding counter top)
- Back Panel with opening to access chase (optional filler for back panel available)
- One adjustable interior shelf and one removable base shelf
- Standard counter tops are designed to provide a 6 in. electrical and plumbing chase
- Optional end filler panels available



Two Door Prep Unit

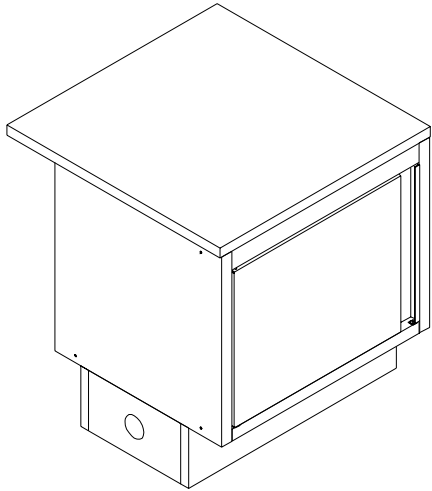
Features:

- Available in 30, 36 & 48 in. lengths
- Available in 18, 24 & 30 in. depths
- Standard height 33 in. (excluding counter top)
- Back Panel with opening to access chase (optional filler for back panel available)
- One adjustable interior shelf and one removable base shelf
- Standard counter tops are designed to provide a 6 in. electrical and plumbing chase
- Optional end filler panels available



METAL CABINET SYSTEM

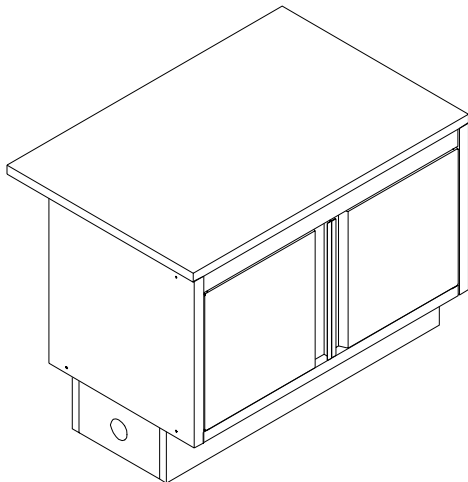
SHOPCO U.S.A. INC.



One Door Low Prep Unit

Features:

- Cabinet length 24 in.
- Cabinet depth 18 in.
- Standard height 25 in. (excluding counter top)
- Back Panel with opening to access chase (optional filler for back panel available)
- One adjustable interior shelf and one removable base shelf
- Standard counter tops are designed to provide a 6 in. electrical and plumbing chase
- Optional end filler panels available



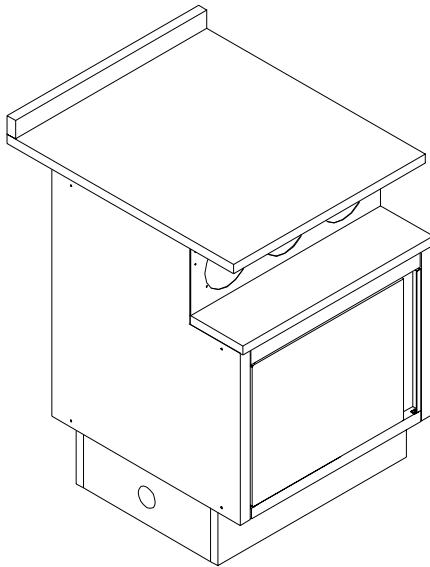
Two Door Low Prep Unit

Features:

- Cabinet length 36 in.
- Cabinet depth 18 in.
- Standard height 25 in. (excluding counter top)
- Back Panel with opening to access chase (optional filler for back panel available)
- One adjustable interior shelf and one removable base shelf
- Standard counter tops are designed to provide a 6 in. electrical and plumbing chase
- Optional end filler panels available

METAL CABINET SYSTEM

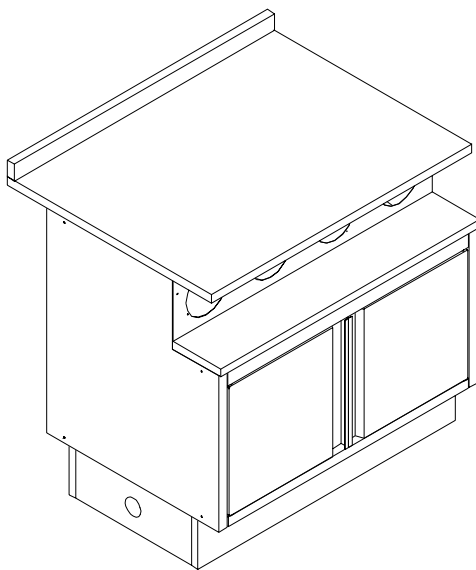
SHOPCO U.S.A. INC.



3 Cup Beverage Unit (One Door)

Features:

- Cabinet length 24 in.
- Available in 24 & 30 in. depths
- Standard height 33 in. (excluding counter top)
- With stainless steel step ledge and 3 cut-outs for cup dispensers (dispensers sold separately)
- Back Panel with opening to access chase (optional filler for back panel available)
- One adjustable interior shelf and one removable base shelf
- Standard counter tops are designed to provide a 6 in. electrical and plumbing chase
- Optional end filler panels available



4 Cup Beverage Unit (Two Doors)

Features:

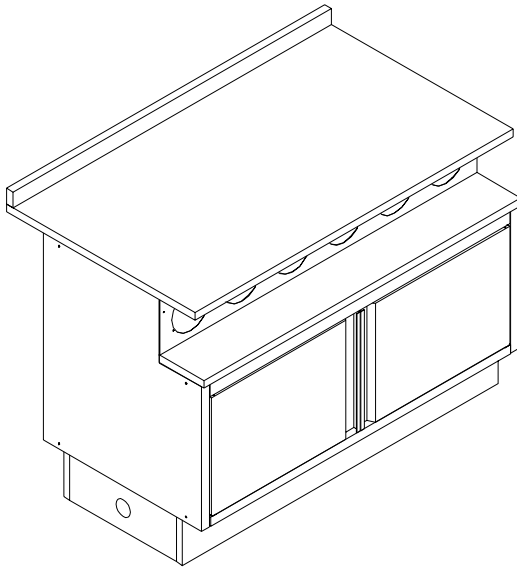
- Cabinet length 36 in.
- Available in 24 & 30 in. depths
- Standard height 33 in. (excluding counter top)
- With stainless steel step ledge and 4 cut-outs for cup dispensers (dispensers sold separately)
- Back Panel with opening to access chase (optional filler for back panel available)
- One adjustable interior shelf and one removable base shelf
- Standard counter tops are designed to provide a 6 in. electrical and plumbing chase
- Optional end filler panels available



METAL CABINET SYSTEM

SHOPCO U.S.A. INC.

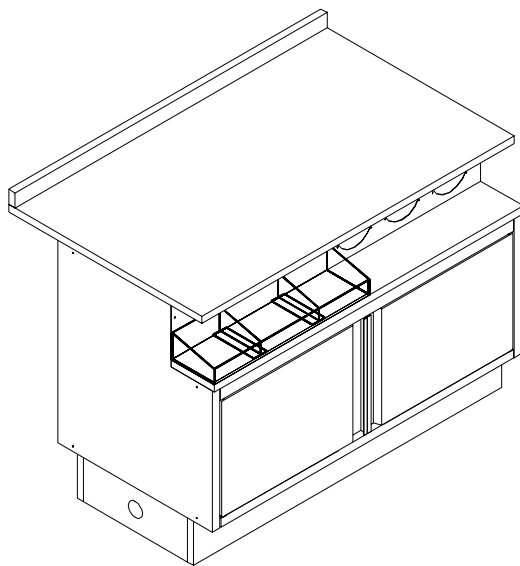
6 Cup Beverage Unit (Two Doors)



Features:

- Cabinet length 48 in.
- Available in 24 & 30 in. depths
- Standard height 33 in. (excluding counter top)
- With stainless steel step ledge and 6 cut-outs for cup dispensers (dispensers sold separately)
- Back Panel with opening to access chase (optional filler for back panel available)
- One adjustable interior shelf and one removable base shelf
- Standard counter tops are designed to provide a 6 in. electrical and plumbing chase
- Optional end filler panels available

3 Cup & Condiment Beverage Unit (Two Doors)

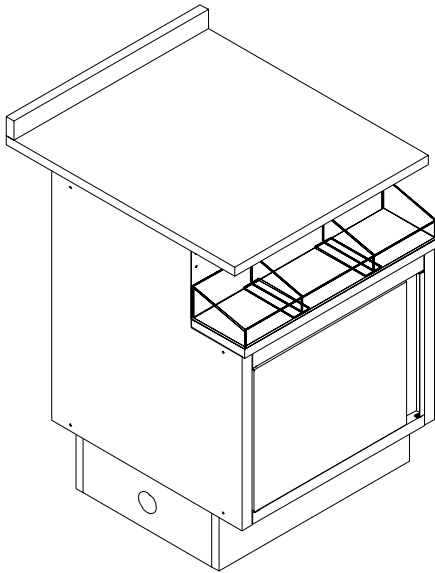


Features:

- Cabinet length 36 in.
- Available in 24 & 30 in. depths
- Standard height 33 in. (excluding counter top)
- With stainless steel step ledge and 4 cut-outs for cup dispensers (dispensers sold separately)
- Includes acrylic condiment tray
- Back Panel with opening to access chase (optional filler for back panel available)
- One adjustable interior shelf and one removable base shelf
- Standard counter tops are designed to provide a 6 in. electrical and plumbing chase
- Optional end filler panels available

METAL CABINET SYSTEM

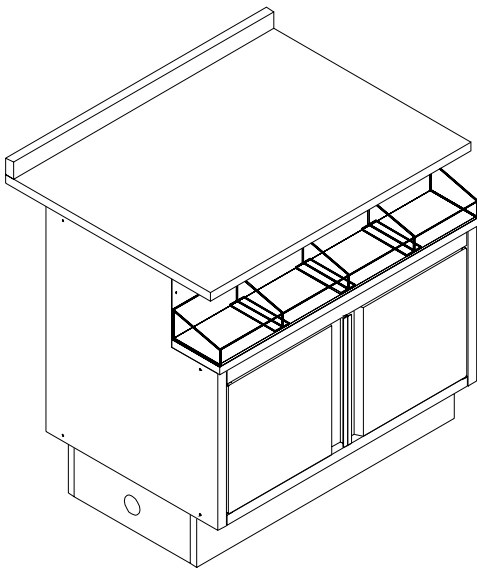
SHOPCO U.S.A. INC.



One Door Condiment Unit

Features:

- Cabinet length 24 in.
- Available in 24 & 30 in. depths
- Standard height 33 in. (excluding counter top)
- Back Panel with opening to access chase (optional filler for back panel available)
- With Stainless steel step ledge and acrylic condiment tray
- One adjustable interior shelf and one removable base shelf
- Standard counter tops are designed to provide a 6 in. electrical and plumbing chase
- Optional end filler panels available



Two Door Condiment Unit

Features:

- Available in 36 & 48 in. lengths
- Available in 24 & 30 in. depths
- Special 48 in. L X 18 in. D unit available
- Standard height 33 in. (excluding counter top)
- Back Panel with opening to access chase (optional filler for back panel available)
- With Stainless steel step ledge and acrylic condiment tray
- One adjustable interior shelf and one removable shelf
- Standard counter tops are designed to provide a 6 in. electrical and plumbing chase
- Optional end filler panels available



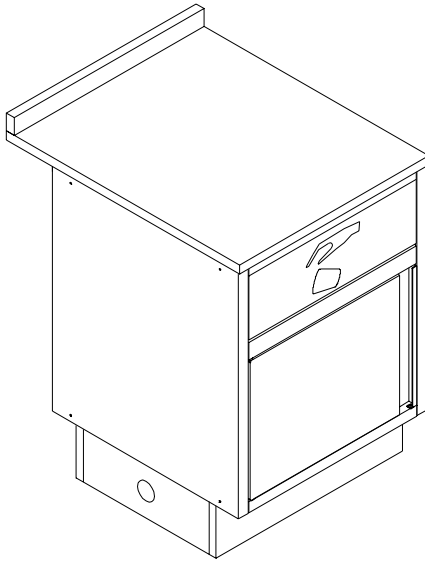
METAL CABINET SYSTEM

SHOPCO U.S.A. INC.

Waste Unit

Features:

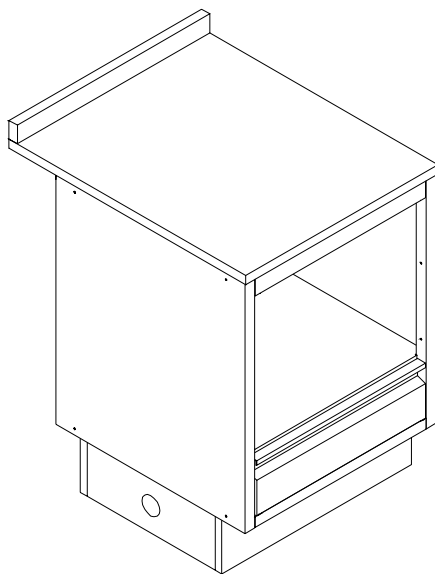
- Available in 12, 18 & 24 in. lengths
- Available in 24 & 30 in. depths
- Standard height 33 in. (excluding counter top)
- Full Back Panel with no chase access opening
- One door and one trash flap
- One waste bin included
- One removable base shelf
- Standard counter tops are designed to provide a 6 in. electrical and plumbing chase
- Optional end filler panels available



Microwave Unit

Features:

- Cabinet length 24 in.
- Cabinet depth 24 in.
- Standard height 33 in. (excluding counter top)
- Back Panel with opening to access chase (optional filler for back panel available)
- One storage drawer
- One interior shelf for microwave placement
- Able to hold microwave up to 21 in. L X 20 in. D X 17 in. H in size
- Standard counter tops are designed to provide a 6 in. electrical and plumbing chase
- Optional end filler panels available



METAL CABINET SYSTEM

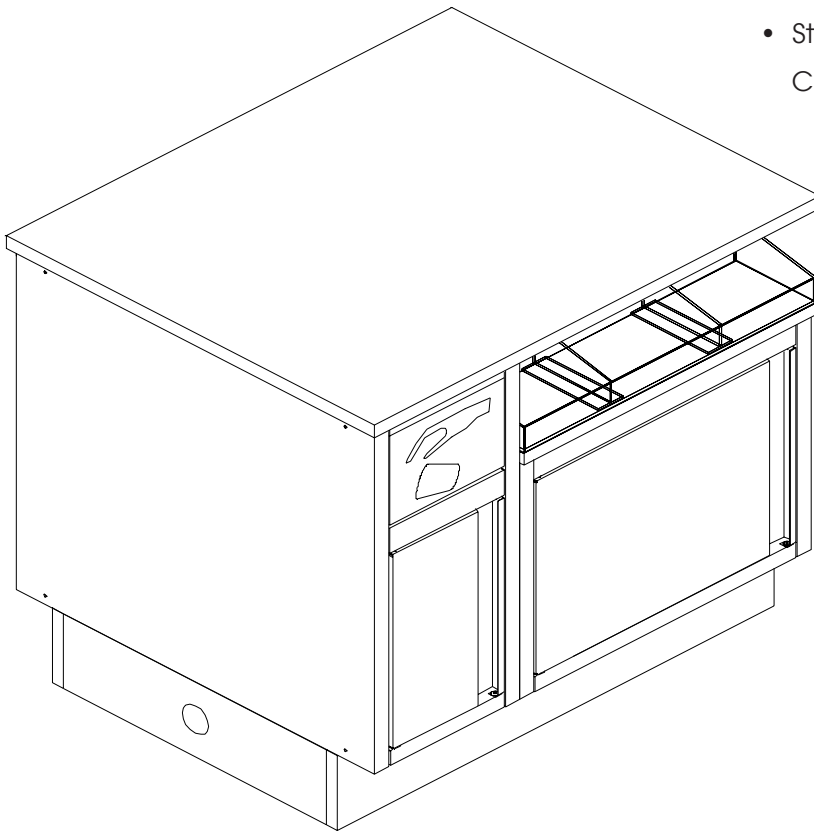
SHOPCO U.S.A. INC.



Condiment Pedestal

Features:

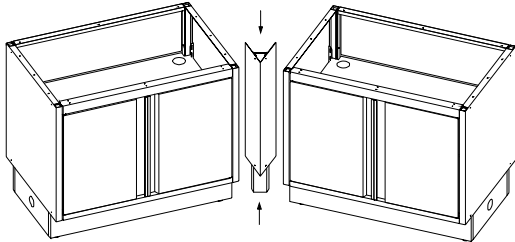
- Cabinet length 36 in.
- Cabinet depth 30 in.
- Standard height 33 in. (excluding counter top)
- Four doors
- Two Trash Flaps
- Two waste bins included
- Two stainless steel step ledges and acrylic condiment trays
- Two removable base shelves
- One adjustable interior shelf (in condiment section)
- Standard stock color is white;
Custom colors available





METAL CABINET SYSTEM

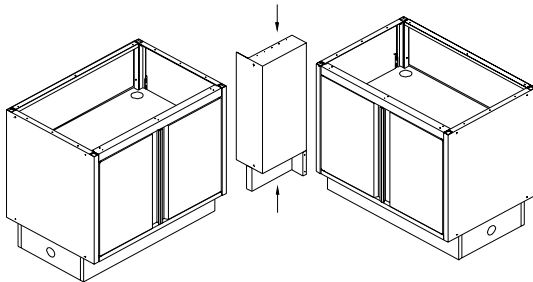
SHOPCO U.S.A. INC.



45 Degree Filler Panel

Features:

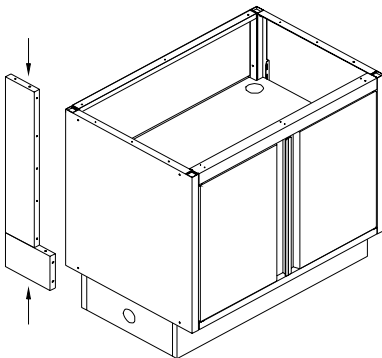
- Designed to attach two units for an inside 45 degree corner
- Fills base and cabinet area



90 Degree Filler Panel

Features:

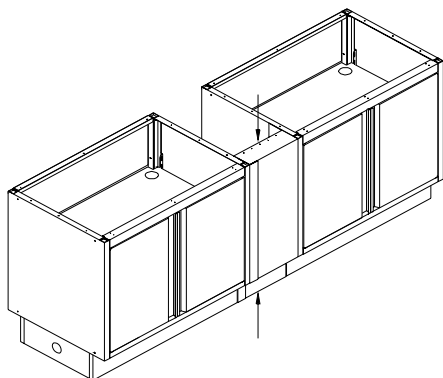
- Designed to attach two units for an inside 90 degree corner
- Fills base and cabinet area



End Filler Panel

Features:

- Designed to finish off the opening of a standard 6 in. base
- Fills base and cabinet area at the end of a run



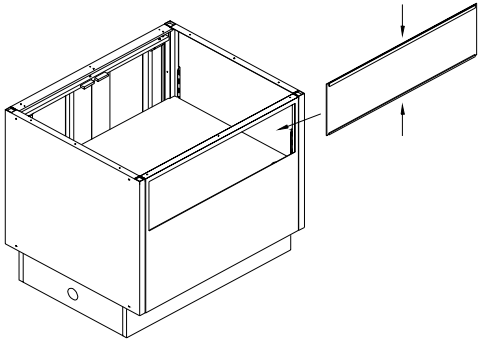
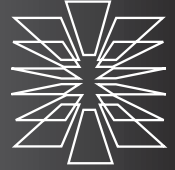
Adjustable Filler Panel

Features:

- Designed to complete a cabinet run unequal to length of standard cabinet bodies
- Easily cut to size
- Unique design provides finished edges after cutting to correct size

METAL CABINET SYSTEM

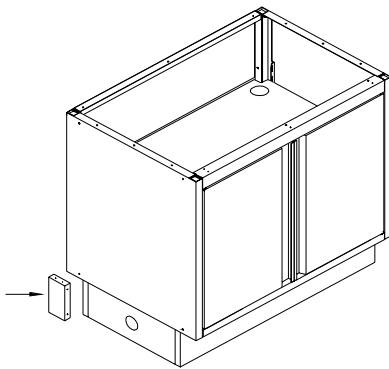
SHOPCO U.S.A. INC.



Back Panel Filler

Features:

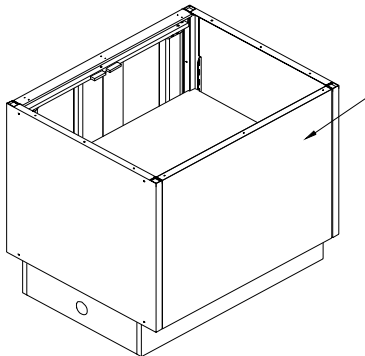
- To fill chase opening in back of cabinet
- Can be easily installed and removed from within the cabinet body



Base Panel Filler

Features:

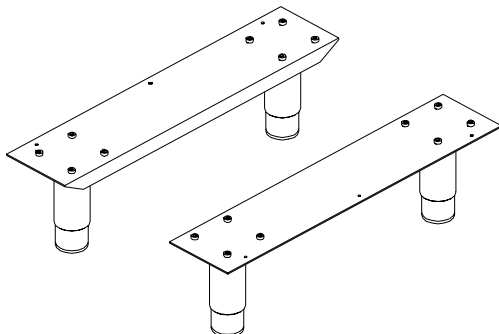
- To fill base opening between cabinet and wall
- To be used in place of end filler panel for cabinets without chase



Full Back Panel

Features:

- Back Panel without chase opening
- Available in all cabinet sizes



Stainless Steel Legs

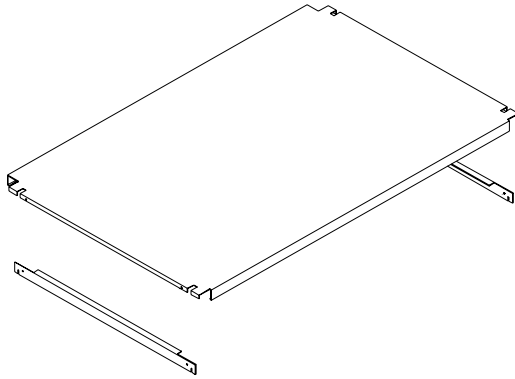
Features:

- To be used in place of standard base
- Height is adjustable from 5.5 to 9.5 in.



METAL CABINET SYSTEM

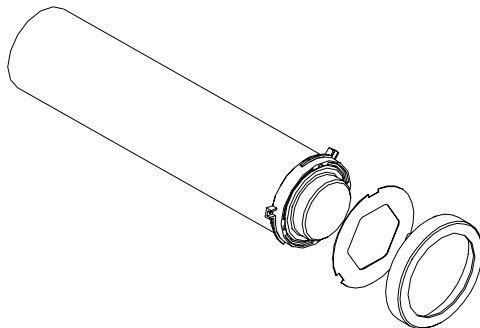
SHOPCO U.S.A. INC.



Adjustable Interior Shelf

Features:

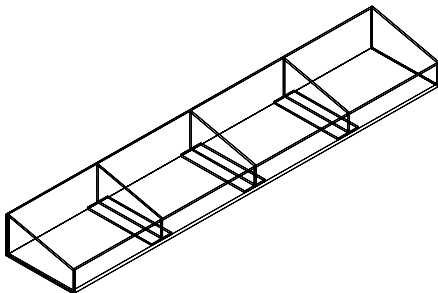
- Requires two brackets



Cup Dispenser

Features:

- Each dispenser is equipped with four different elastic gaskets to accommodate cup sizes from 8 to 46 oz.



Condiment Tray

Features:

- 6 in. deep
- Includes adjustable dividers for various condiment items
- Available in 12, 24 & 36 in. lengths