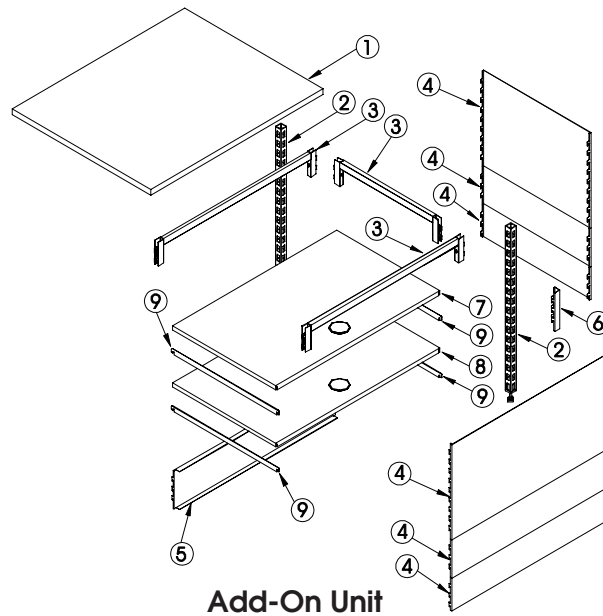
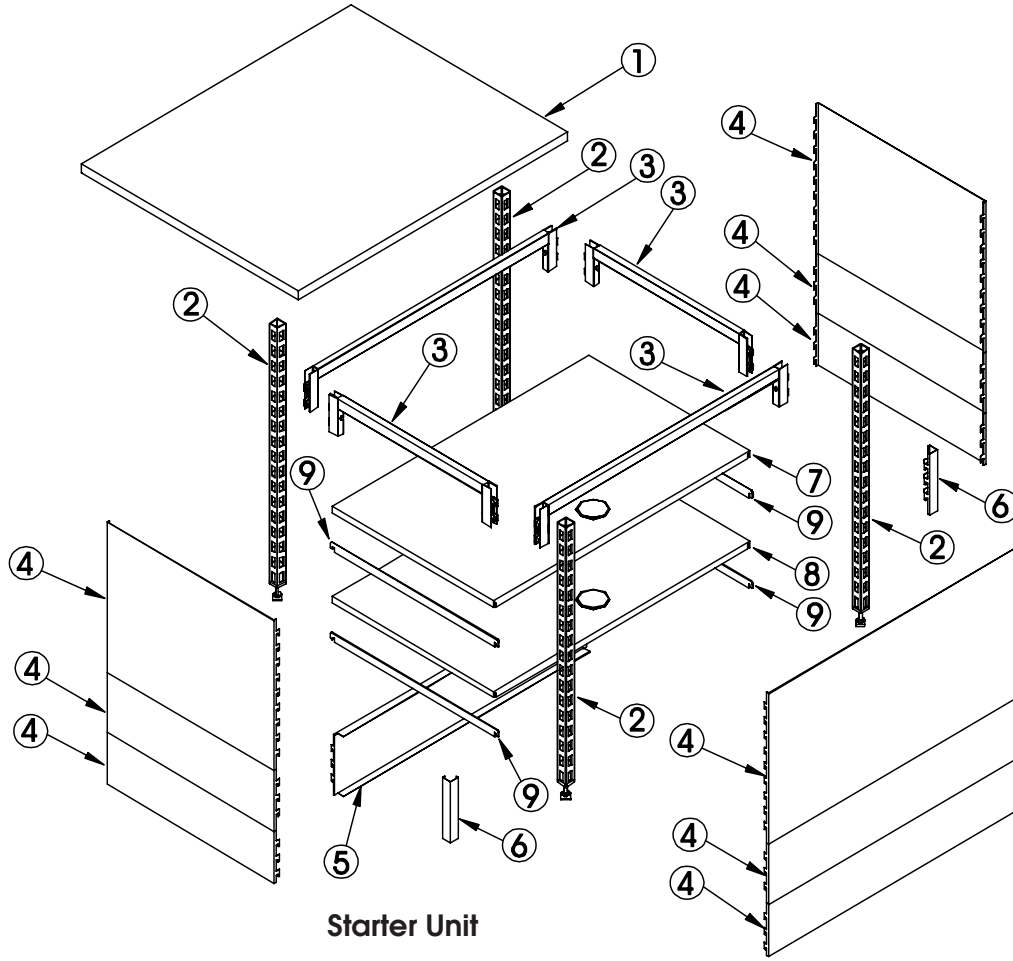




SALES COUNTERS

SHOPCO U.S.A. INC.

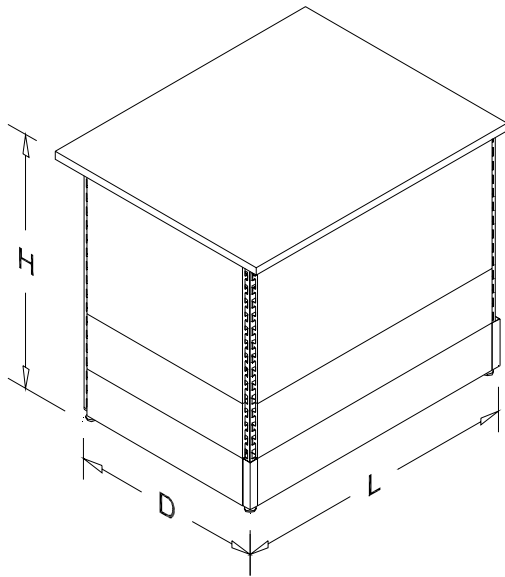
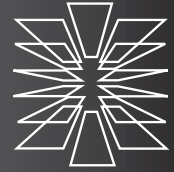
Exploded View Straight Sales Counter Unit



1. Counter Top
2. 4D-Upright
3. Counter Frame
4. Metal Panels
5. Reverse Back Panel
6. Corner Trim
7. Interior Adjustable Shelf
8. Removable Base Shelf
9. Shelf Bracket

SALES COUNTERS

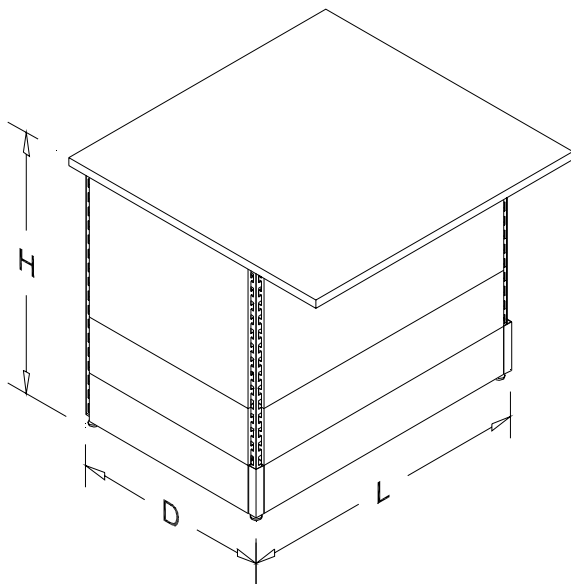
SHOPCO U.S.A. INC.



Straight Unit

Features:

- Available in 1, 2, 3 & 4 ft. lengths
- Standard cabinet body depth 2 ft.
- Standard height 34 in. (including 1in. thick counter top)
- Other sizes available
- One adjustable interior shelf and one removable base shelf
- Standard stock colors include white, beige and light gray (custom colors available)
- Shelves, convenience rails and magazine racks may be added to front of counter
- Doors, drawers and various accessories can be added to attendant side of sales counter



Straight Unit with Extended Top

Features:

- Available in 1, 2, 3 & 4 ft. lengths
- Standard cabinet body depth 2 ft.
- Standard height 34 in. (including 1in. thick counter top)
- Other sizes available
- One adjustable interior shelf and one removable base shelf
- Standard stock colors include white, beige and light gray (custom colors available)
- Shelves, convenience rails and magazine racks may be added to front of counter
- Doors, drawers and various accessories can be added to attendant side of sales counter



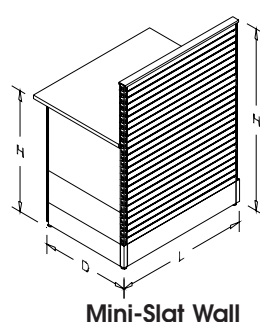
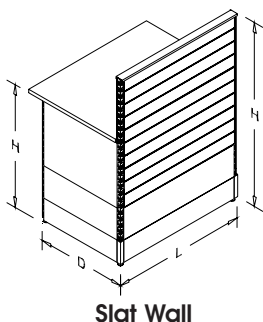
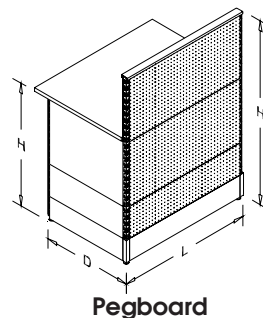
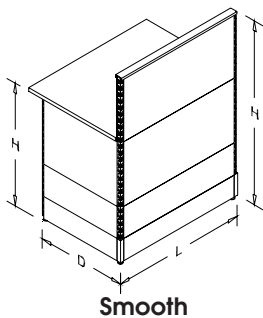
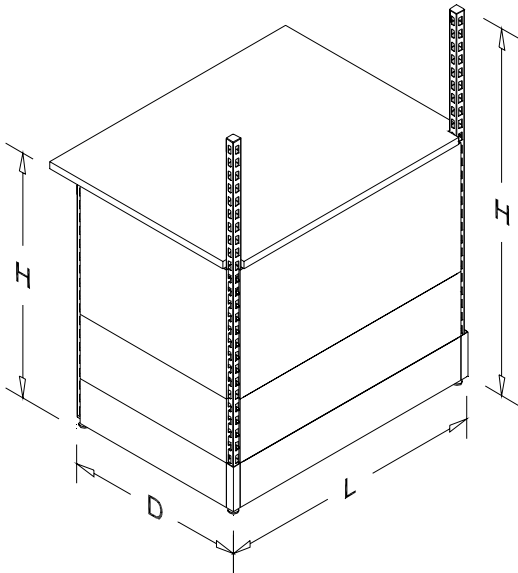
SALES COUNTERS

SHOPCO U.S.A. INC.

Straight Unit with Vertical Front

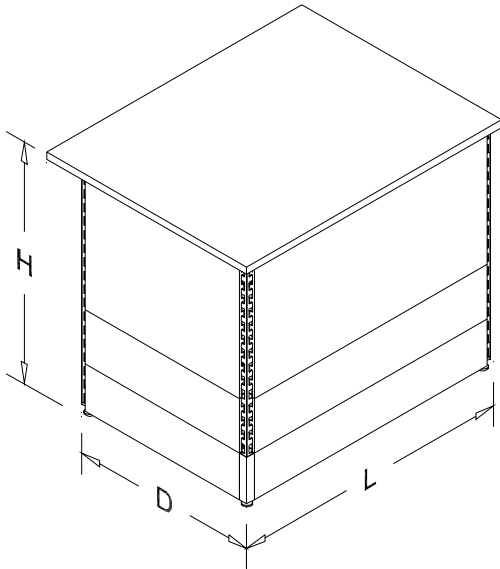
Features:

- Vertical front uprights above counter can be left open (as shown) or covered with smooth, pegboard, slat wall, mini-slat wall or a combination of panels
- Available in 2, 3 & 4 ft. lengths
- Standard cabinet body depth 2 ft.
- Standard height of vertical front 51 in.
- Standard height 34 in. (including 1 in. thick counter top)
- Other sizes available
- One adjustable interior shelf and one removable base shelf
- Standard stock colors include white, beige and light gray (custom colors available)
- Shelves, convenience rails and magazine racks may be added to front of counter
- Doors, drawers and various accessories can be added to attendant side of sales counter



SALES COUNTERS

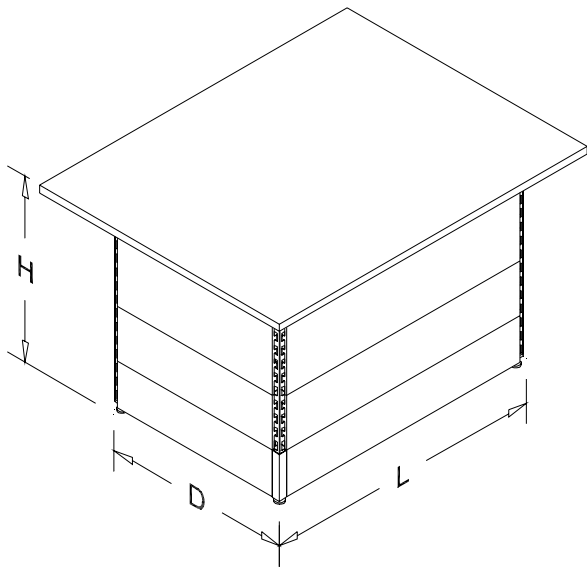
SHOPCO U.S.A. INC.



90 Degree Corner Unit

Features:

- Used to make a 90 degree corner
- Available in 2 & 3 ft. lengths
- Standard cabinet body depth 2 ft.
- Standard height 34 in. (including 1 in. thick counter top)
- Other sizes available
- One adjustable interior shelf and one removable base shelf
- Standard stock colors include white, beige and light gray (custom colors available)
- Shelves, convenience rails and magazine racks may be added to front of counter
- Doors, drawers and various accessories can be added to attendant side of sales counter



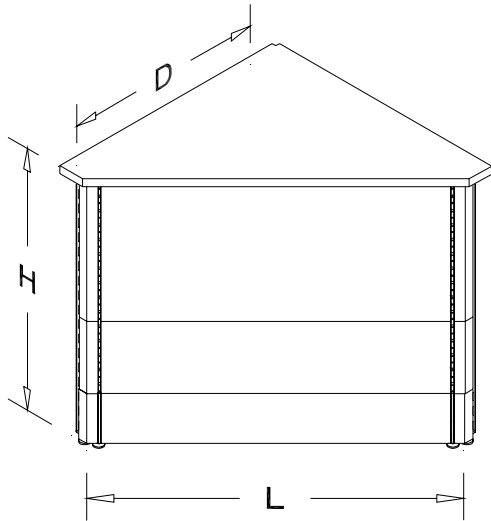
90 Degree Corner Unit with Extended Top

Features:

- Used to make a 90 degree corner
- Available in 2 & 3 ft. lengths
- Standard cabinet body depth 2 ft.
- Standard height 34 in. (including 1 in. thick counter top)
- Other sizes available
- One adjustable interior shelf and one removable base shelf
- Standard stock colors include white, beige and light gray (custom colors available)
- Shelves, convenience rails and magazine racks may be added to front of counter
- Doors, drawers and various accessories can be added to attendant side of sales counter



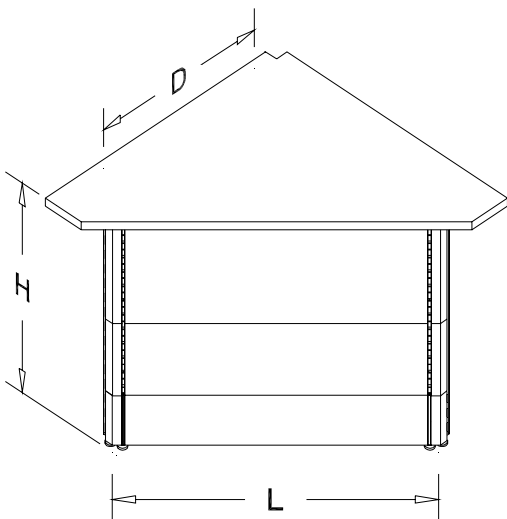
90 Degree Angled Corner Unit



Features:

- Used to make a 90 degree corner with a 45 degree angle
- Available in 3 & 4 ft. lengths
- Standard depth 2 ft.
- Standard height 34 in. (including 1 in. thick counter top)
- Other sizes available
- One adjustable interior shelf and one removable base shelf
- Standard stock colors include white, beige and light gray (custom colors available)
- Shelves, convenience rails and magazine racks may be added to front of counter

90 Degree Angled Corner Unit with Extended Top

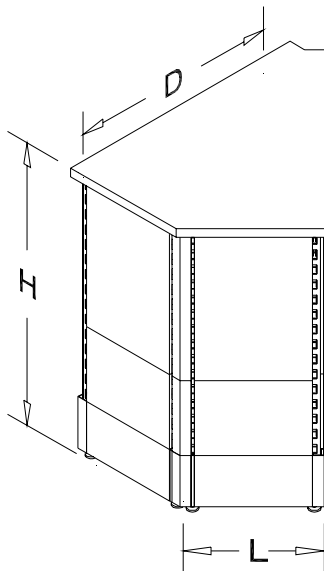
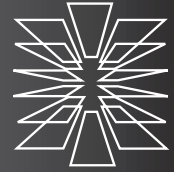


Features:

- Used to make a 90 degree corner with a 45 degree angle
- Available in 3 & 4 ft. lengths
- Standard depth 2 ft.
- Standard height 34 in. (including 1 in. thick counter top)
- Other sizes available
- One adjustable interior shelf and one removable base shelf
- Standard stock colors include white, beige and light gray (custom colors available)
- Shelves, convenience rails and magazine racks may be added to front of counter

SALES COUNTERS

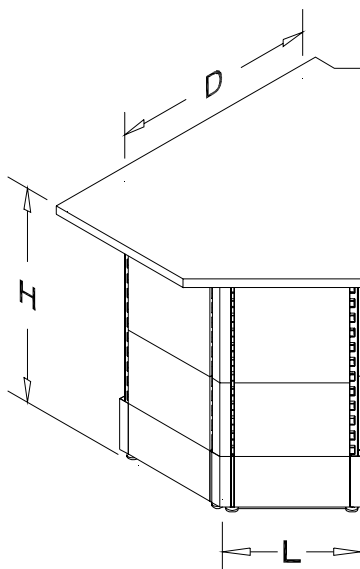
SHOPCO U.S.A. INC.



45 Degree Wedge

Features:

- Used to make a 45 degree corner (outside turn)
- Standard length 1 ft.
- Standard depth 2 ft.
- Standard height 34 in. (including 1in. thick counter top)
- Other sizes available
- One adjustable interior shelf and one removable base shelf
- Standard stock colors include white, beige and light gray (custom colors available)
- Shelves, convenience rails and magazine racks may be added to front of counter



45 Degree Wedge with Extended Top

Features:

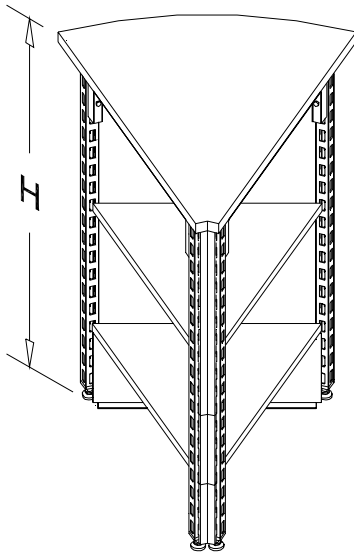
- Used to make a 45 degree corner (outside turn)
- Standard length 1 ft.
- Standard depth 2 ft.
- Standard height 34 in. (including 1in. thick counter top)
- Other sizes available
- One adjustable interior shelf and one removable base shelf
- Standard stock colors include white, beige and light gray (custom colors available)
- Shelves, convenience rails and magazine racks may be added to front of counter



SALES COUNTERS

SHOPCO U.S.A. INC.

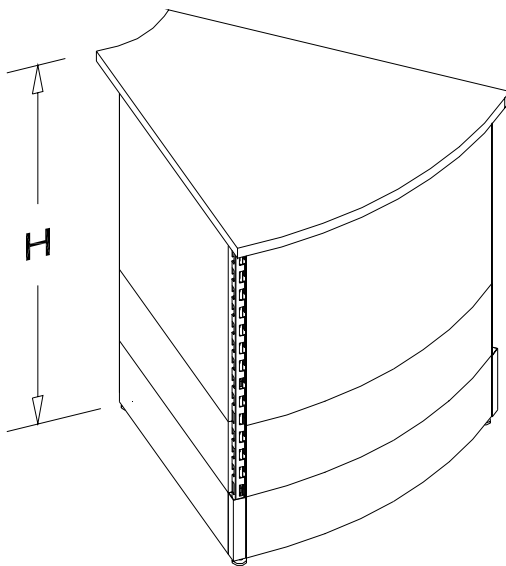
Reverse Wedge



Features:

- Used to make a 45 degree corner (inside turn)
- Standard depth 2 ft.
- Standard height 34 in. (including 1in. thick counter top)
- Other heights available
- One adjustable interior shelf and one removable base shelf
- Standard stock colors include white, beige and light gray (custom colors available)

Curved Unit

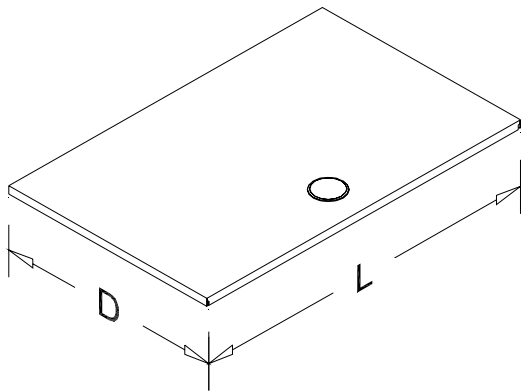
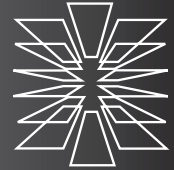


Features:

- Used to make a 45 degree corner (two units together make a 90 degree outside corner)
- Standard depth 2 ft.
- Standard height 34 in. (including 1in. thick counter top)
- Other sizes available
- One adjustable interior shelf and one removable base shelf
- Standard stock colors include white, beige and light gray (custom colors available)
- Shelves, convenience rails and magazine racks may be added to counter front

SALES COUNTERS

SHOPCO U.S.A. INC.

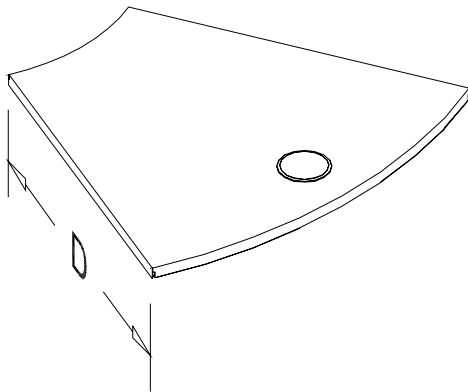


Straight Interior Shelf

1400-XX24XXX-05

Features:

- All metal shelf
- Shelf includes grommet
- Available in 2, 3 & 4 ft. lengths
- Depth: 24 in.
- Requires two brackets

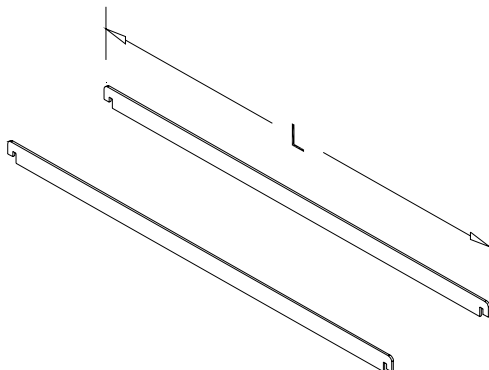


Curved Interior Shelf

1400-XX24XXX-05

Features:

- All metal shelf with grommet
- Depth: 24 in.
- Requires two brackets

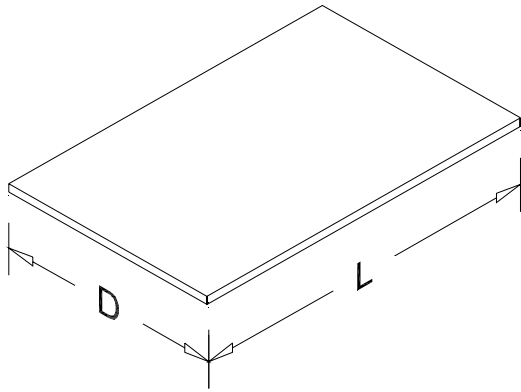


Interior Shelf Brackets

1410-XX24XXX-05

Features:

- Mounting brackets for interior shelves and removable base shelves

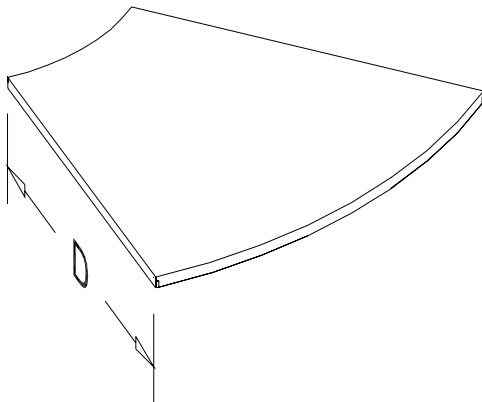


Straight Interior NG Shelf

1301-XXXXXXX-05

Features:

- All metal shelf
- Available in 2 & 3 ft. lengths
- Depth: 20 in.
- Requires two brackets

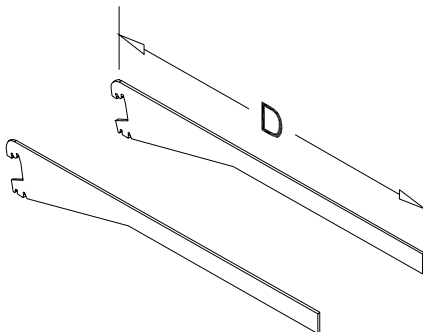


Curved Interior NG Shelf

1301-XXXXXXX-05

Features:

- All metal shelf
- Depth: 20 in.
- Requires two brackets



Interior NG Shelf Brackets

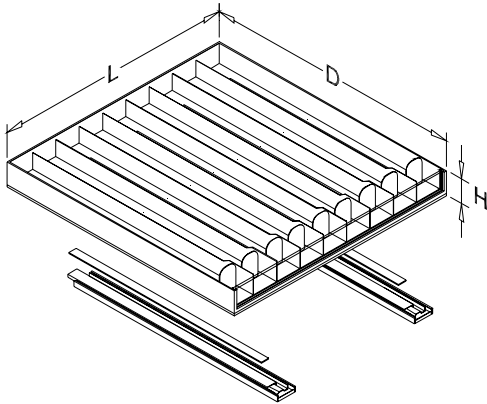
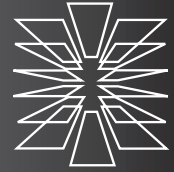
1751-XXXXXXX-XX

Features:

- Mounting brackets for interior NG shelves

SALES COUNTERS

SHOPCO U.S.A. INC.

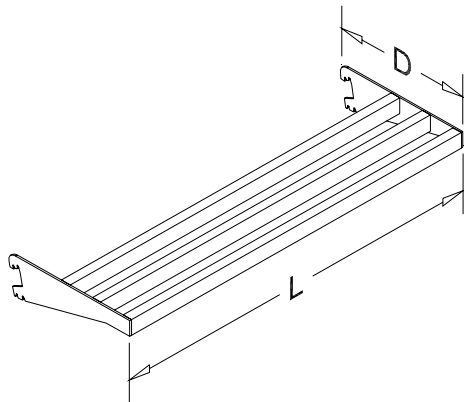


Slide-out Cigarette Tray

4310-XX20XXX-05

Features:

- Requires flat shelf for mounting
- 9 row tray: 2 ft. L X 20 in. D
- 14 row tray: 3 ft. L X 20 in. D

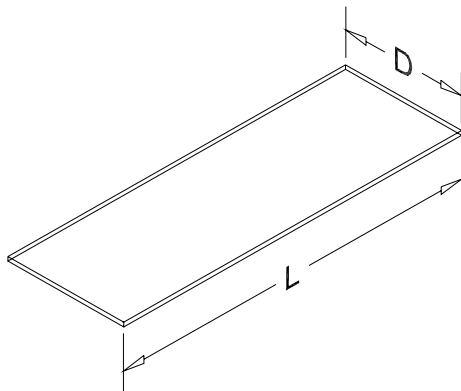


Convenience Rail

1890-XXXXXXXX-XX

Features:

- Attaches to the front of sales counter
- Available in 2, 3 & 4 ft. lengths

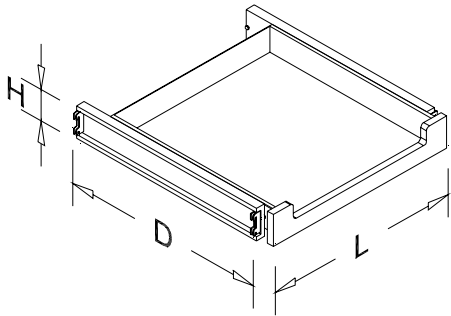


Convenience Rail Cover

1900-XXXXXXXX-XX

Features:

- Acrylic
- Standard stock color is clear
- Available in 2, 3 & 4 ft. lengths

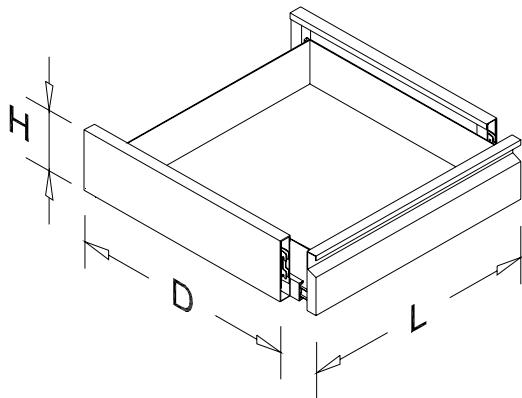


Printer Slide Drawer

4205-3624004-05

Features:

- 3 ft. L X 2 ft. D X 4 in. H
- Made of wood laminate material

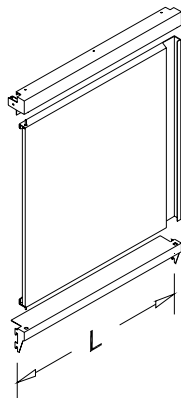


Drawer

4200-XXXXXXX-XX

Features:

- All metal (side and front panels)
- Available in 2 & 3 ft. lengths
- Depth: 2 ft.
- Height: 4 in.



Doors

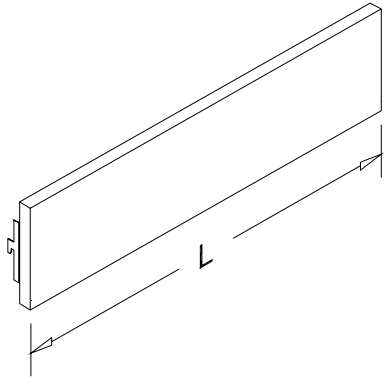
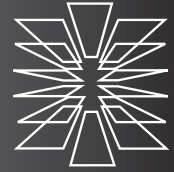
SH1-DOORXX-XXXX024-XX

Features:

- All metal
- Height: 24 in.
- Available in 2 & 3 ft. lengths

SALES COUNTERS

SHOPCO U.S.A. INC.

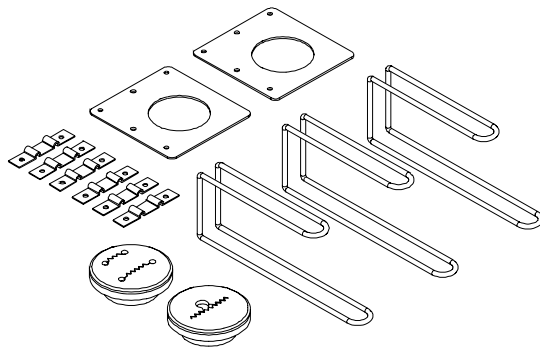


Electrical Mounting Board

SH1-EMBXXX-XX06XXX-0

Features:

- Board for attaching electrical outlets and conduit to sales counter interior
- Available in 2 & 3 ft. lengths
- Height: 6 in.

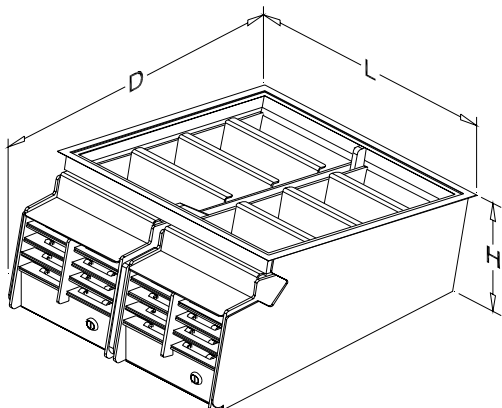


Bagging System

5520-AXXXXXX-33

Features:

- Mounts underneath counter top or on interior shelf to dispense "roll type" plastic bags



Lottery Ticket Dispenser

5560-XXXXXXX-00

Features:

- Drops into counter
- 12 or 16 game
- 22 in. L X 19 in. W X 11 5/8 in. to 13 in. H (sloping height)

(CALL FOR ACTUAL CUT OUT DIMENSIONS)