

Premium Products, Superior Service!



SHOPCO USA

PRODUCT CATALOG

Your Full-Service Partner for Premium
Store Fixture Solutions.

SHOPCOUSA.COM



SHOPCO USA
7171 W. Sam Houston Parkway North
Houston, TX 77040
PHONE: 713.934.2900 | FAX: 713.934.2929

Table of Contents

ABOUT SHOPCO USA	4
SHOP-FLEX METAL CABINETS	6
FOOD & BEVERAGE METAL CABINETS	18
4D SALES COUNTERS	34
TOBACCO FIXTURES	38
SHOPCO EURO GONDOLA SYSTEMS	39
MADIX GONDOLA SYSTEMS	43
SPECIALTY FIXTURES	53
DESIGN SERVICES	61
RAL COLOR CHOICES	69
SOLID SURFACE CHOICES	71
LAMINATE CHOICES	81

**WITH OVER 400 YEARS OF EXPERIENCE,
OUR TEAM IS READY TO SERVE YOU!**

A Letter From Our Owners

WELCOME!

Thank you for taking the time to consider SHOPCO USA for your store fixture needs! At SHOPCO, we are dedicated to providing our customers with the best experience possible. SHOPCO was founded in 1985 with the philosophy of serving our customers with premium products, innovative designs, superior customer service, and the shortest lead time in the industry.

We take pride in our high-quality, versatile, and long-lasting retail merchandising systems, including Metal Food Service Cabinets, Metal Sales Counters, Tobacco Fixtures, and Gondola Shelving Systems. Over the years, we've grown to be one of the leading fixture suppliers to the retail marketplace, focused on convenience stores, travel centers, liquor stores, tobacco outlets, and more.

As our product line continues to grow, our values remain the same. We strive to remain the marketplace leader through unparalleled product design, continual research and development, creative store concepts, and a team of employees who are passionately committed to exceeding the customer's expectations daily. Providing customers with the shortest lead time in the store fixture industry is just one of many elements contributing to our superior customer service.

We invite you to browse through this product catalog and examine the many ways we can assist with your store remodel projects or new build designs. You will find examples of the award-winning designs possible with our unique component system. Our professional sales team and creative designers are waiting to help design your store with the limitless possibilities of our all-metal system, designed to enhance a store's image, increase impulse sales, and last for decades to come.

Please feel free to contact us at shopcousa.com or call us at (713) 934-2900. We invite you to "Come and Discover the SHOPCO Difference!"

Sincerely,

DAVID BIRD
Owner

NEIL KELLER
Owner

SAM GLENNEY
Owner

MICHAEL SHUTTLESWORTH
Owner

Customizing Your Fixture Solutions

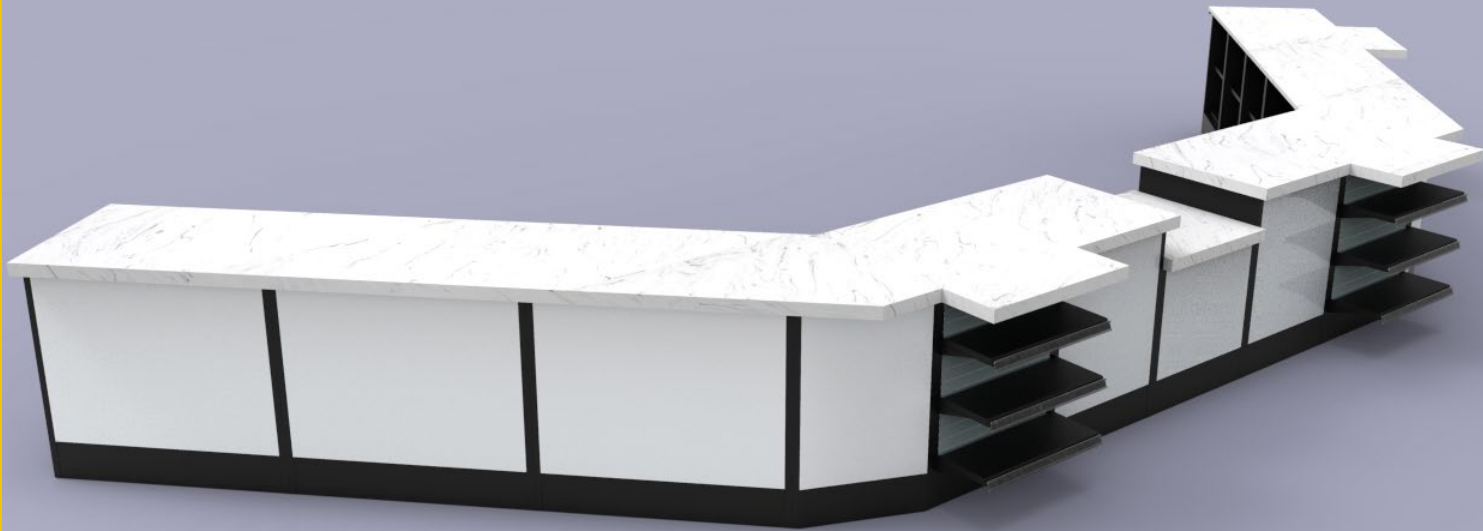
For over 35 years the SHOPCO Team have been working with all retail channels to provide the most versatile, yet durable and aesthetically pleasing interior store fixtures. If you are looking for a true partnership for your in-store fixture needs that will take the time to understand your business needs, and form a relationship far beyond the sale itself, then SHOPCO is the company of choice! Regardless of your business type, SHOPCO has an interior fixture solution for you!

SHOPCO has developed an array of all-metal fixture systems to meet your design requirements for gondola merchandising, food and beverage counter solutions, the all important sales counter presentation, tobacco fixtures and many other specialty fixtures to achieve all your merchandising goals.

Combine these spectacular fixtures with our remarkable sales staff, AutoCAD design offering and first class customer service, and you will have everything you need to win the merchandising “battle”.

METALING IN MERCHANDISE

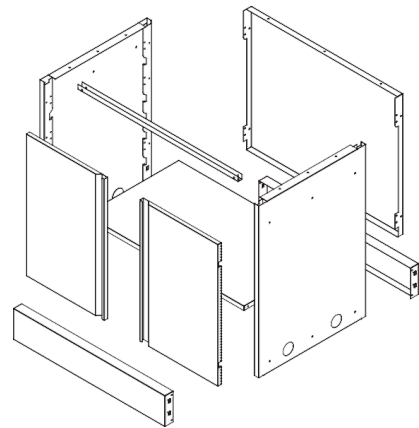
- Award-winning, all-metal sales counters designed not only to increase impulse sales, but also to be team member friendly.
- The Metal Cabinet System, stocked for immediate shipment for quick serve food counter and beverage solutions.
- Introducing the latest innovation for Tobacco Fixtures from SHOPCO USA, available in Standard Height (84”) and Low Profile (58”) to meet your store’s needs. Standard set-ups are available or build your own configuration. SHOPCO’s standard component system makes it easy to build most configurations to fit your store’s needs.
- Exceptional component-style shelving fixtures that promote your products and provide limitless versatility for optimal presentation.
- SHOPCO is proud to offer Madix products and SHOPCO is one of a only a few Master Distributors of Madix product in the United States. Madix fixtures are manufactured in a highly automated facility with the most Modern technology to create store fixtures that are as cost efficient as they are functional.
- Industry’s shortest lead-time on product offerings.
- Made to order custom counter tops and specialty fixtures.
- Unbeatable SHOPCO service (sales support, CAD Design, supply and installation).



The SHOP-FLEX Cabinet is constructed of SAE 1010 steel. Our team specially designed this cabinet to be as flexible as possible. Our concept was to have a cabinet with the durability of steel, combined with the economy and modern look of wood fronts with customized counter tops.

GREAT FOR A VARIETY OF USES:

- Sales Counters
- Shop-In-Shop Kiosk Counters
- Reception Desk
- Rear Storage Counters
- Warehouse Counters



SHOP-FLEX FEATURES:

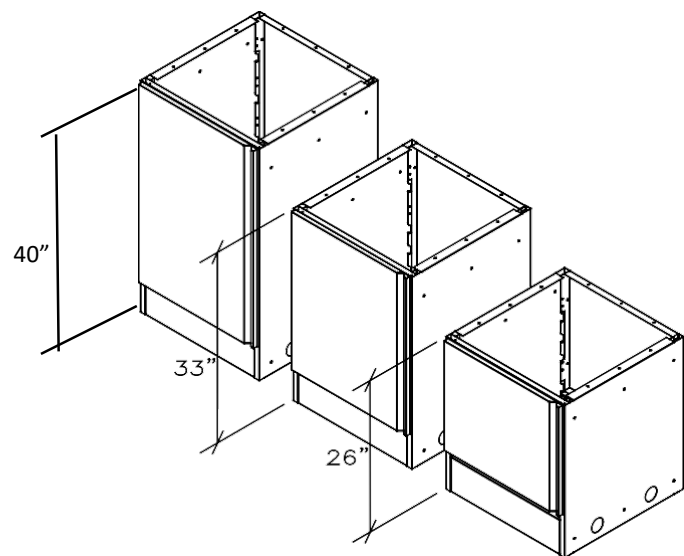
- Component design allows for tremendous versatility. Standard components can be configured in wide variety of ways for many design options.
- Standard cabinets are stocked in white and black, however we can customize your cabinet in any color available in the RAL system.

Shop-Flex Metal Cabinets

SHOP-FLEX SIZES - THREE HEIGHTS:

Two Heights (Cabinet Body Heights - 26" and 33" which includes an integral 6" base). Total overall heights with a 1" thick top are 27" and 34".

The base shelves are removable and the middle shelves are adjustable. The base panel is reversible, giving you the choice of a recessed base (with approximately 2" of toe space) or a base flush with the body of the cabinet.



HEIGHT VERSATILITY:

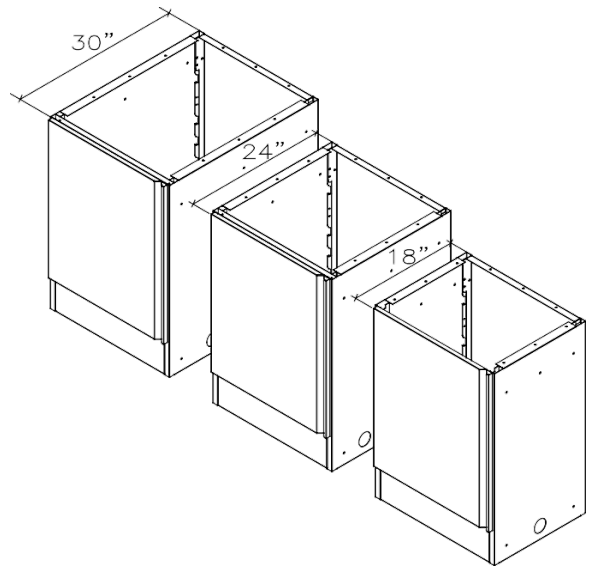
The heights are designed so that the incremental difference between each height is equal to the height of a drawer. Therefore a standard height unit can include a standard door (on the attendant side), or a low door plus a drawer, or no door.

Shop-Flex Metal Cabinets

SHOP-FLEX SIZES - THREE DEPTHS:

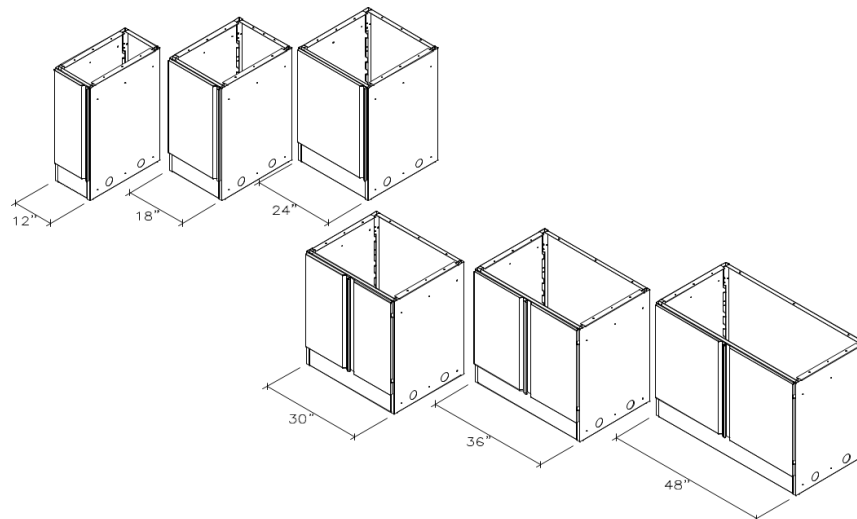
Cabinet body depths 18", 24" and 30" which can be combined with a deeper counter top to provide an electric and plumbing chase. To yield overall depths of 18" with no chase to 36" with 6" chase for wall applications.

For sales counter applications, the counter top typically has a 1" overhang in the front and the back for a depth 2" greater than the cabinet body. Some sales counter applications utilize an extended top at the pay points on the front of the counter to the depth of the merchandising shelving.



SHOP-FLEX CABINET LENGTHS - SIX LENGTHS:

SHOP-FLEX cabinets are designed in six lengths plus an adjustable filler that can be cut to fit in the field for unlimited versatility. The 12", 18" and 24" units have one door: while the 30", 36" and 48" units have two doors. Drawers are only stocked in 18", 24" and 36" lengths but can be fabricated for any size cabinet if desired.

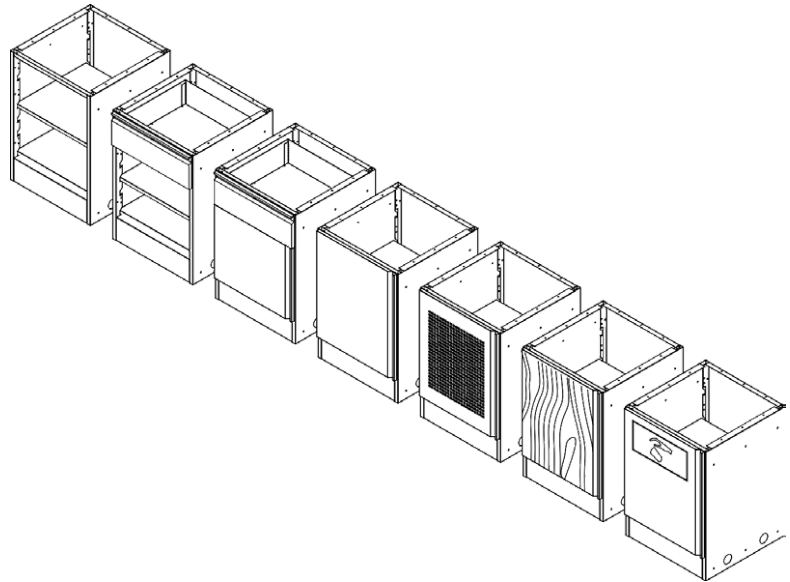


Shop-Flex Metal Cabinets

CABINET FRONTS:

Available with solid metal doors, customized wood doors, drawers or open. They can even combine doors and drawers as desired.

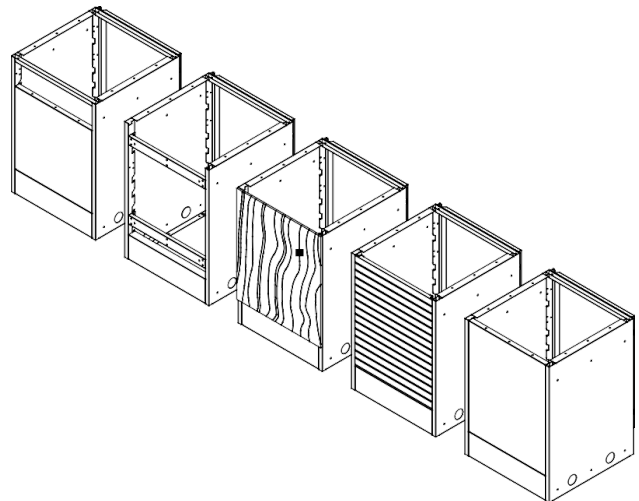
If plans change in the future, it is an easy matter to add or remove doors at any time.



CABINET BACKS:

Available in solid metal with a powder coat finish, partial metal with opening for access to chase, mini-slat for merchandising or with bracing bars for use with customized wood laminate panels or left open.

The cabinet backs are available in solid metal with a powder coat finish, partial metal with opening for access to chase, mini-slat for merchandising or with bracing bars for use with customized wood laminate panels or left open.

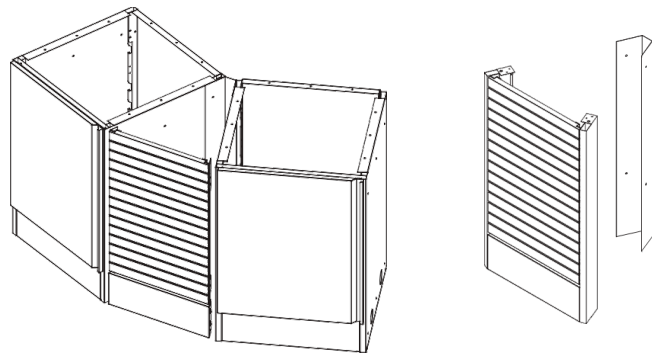


Shop-Flex Metal Cabinets

45-DEGREE OUTSIDE WEDGE UNIT:

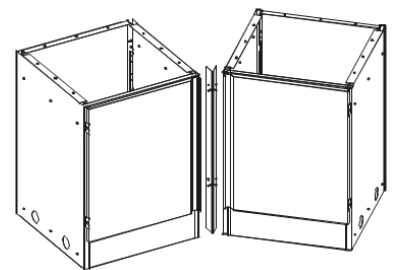
The wedge unit is designed to make a 45 degree turn in a cabinet run. The SHOP-FLEX Wedge unit is available for 24" and 30" cabinet depths and standard (33") cabinet height. The back panels are available in solid metal, mini-slat or laminated wood panel.

Perspective drawing showing the 45 degree wedge in a cabinet run. Similar to the filler drawings below.



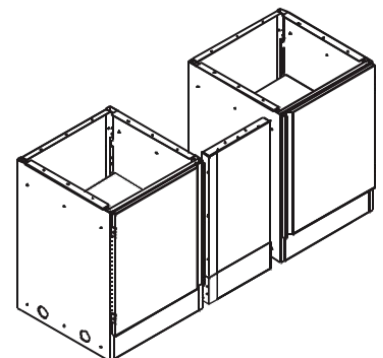
45-DEGREE INSIDE FILLER PANEL FEATURES:

Designed to attach two units for an inside 45 degree corner. Available for both the cabinet with a depth of 18", 24" and 30". Standard height 33" (excludes counter top). Fills base and cabinet area.



ADJUSTABLE FRONT FILLER PANEL FEATURES:

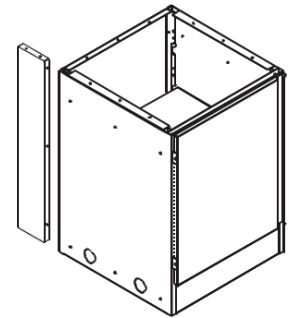
Designed to complete a cabinet run of virtually any length; this unique Adjustable Filler is designed to be easily cut in the field while still providing finished edges after cutting to the correct size. Standard heights of 26" and 33" (excludes counter top).



Shop-Flex Metal Cabinets

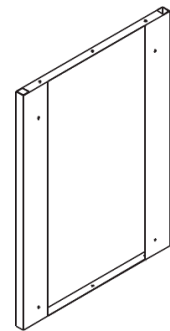
CHASE FILLER PANEL FEATURES:

Designed to finish off the opening of a standard 6" chase. Fills base and cabinet area at the end of a run. Standard height 33" (excludes counter top).



FINISHED END FILLER FEATURES:

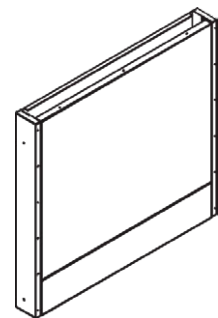
Full height end panel to give a finished look to an exposed end of a run of cabinets, or to add approximately 1" length to a run. Available in 33" or 39" heights (excludes counter top).



FILLER BOX:

Filler Box is designed to finish off small areas in the cashier area, such as surrounds for refrigeration units, or half walls, etc

- Length available: 12", 18", 24", 30", 36" and 48"
- Height available: 26" and 33" (Excludes counter top)
- Depth available: 4"



COUNTER TOPS:

We have a wide variety of cabinet counter tops available including; plastic laminate, stainless steel and solid surface. Counter tops are fabricated per layout (not individual unit) to minimize seams. The standard counter top is 6" deeper than the cabinet body to provide an electrical and plumbing chase when used in wall mounted applications, or 2" greater than the cabinet body for island configurations.

Shop-Flex Cabinet Accessories

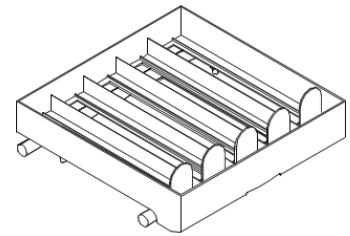
SLIDE-OUT CIGARETTE TRAY FEATURES:

Single served, spring-loaded cigarette tray under the counter for quick access.

- 4 Column - 9-5/8" W X 12" D X 2" H
- 5 Column - 12" W X 12" D X 2" H

Column capacity of 11 standard cigarette packages:

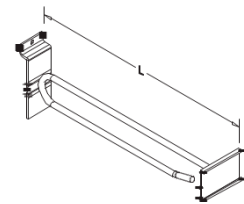
- 12" cabinet - Can fit (1) 4-column tray
- 18" cabinet - Can fit (1) 5-column tray
- 24" cabinet - Can fit (1) 4-column & (1) 5-column tray
- 30" cabinet - Can fit (2) 5-column trays
- 36" cabinet - Can fit (2) 4-column tray & (1) 5-column tray



SCANNING MINI SLAT HOOKS FEATURES:

For merchandising on the front of the sales counter.

- Available lengths: 6" and 8"
- Standard stock color is galvanized
- Also available in 11" white
- Includes flip scan label holder



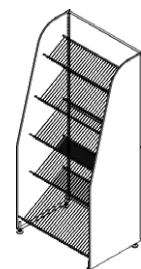
WIRE SHELF FOR MINI SLAT FEATURES:

- Available depths: 6", 8", 10", 12"
- Available lengths: 2', 3' and 4'



VERTICAL MERCHANDISING UNIT:

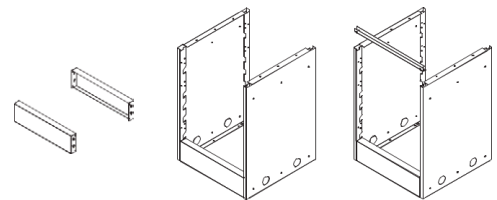
New metal unit for merchandising display in front of Shop-Flex metal sales counters to maximize impulse sales. Shelves can be added for specific merchandising arrangements.



Shop-Flex Metal Cabinets

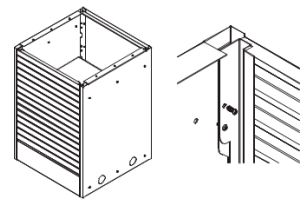
ASSEMBLY INSTRUCTIONS:

1. Attach the base panels to the side panels.
2. Place the top u-bar in the front.



IF MODULE IS TO HAVE A FINISHED BACK:

3. Position the mini slat, solid steel or partially open panel on the back. Attach to the sides with self-tapping screws (supplied) in the pre-drilled holes.

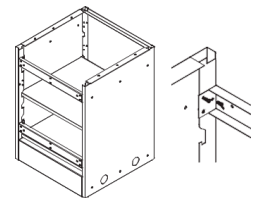


IF BACK IS OPEN:

- 4a. Attach the two bracing bars to the side panels with self tapping screws in the pre-drilled holes. The module is stable with an open back.

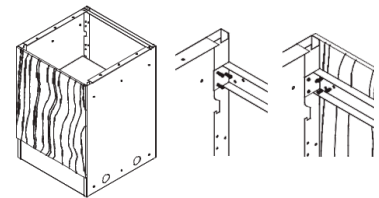
IF BACK IS TO BE WOOD PANEL:

- 4b. Attach two bracing bars, per 4a. Place the wood laminate panels behind the bracing bars and attach with wood screws through the pre-drilled holes in the bracing bars.



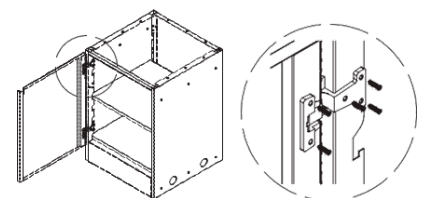
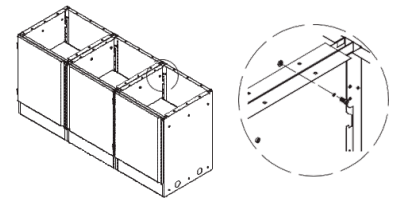
5. If you need to have electrical wires or plumbing going into or through the cabinet, now is the time to punch out the pre-cut holes near the bottom of the side panels.

6. Align the cabinets as designed. Secure cabinets together using the bolts and nuts (supplied) through the pre-drilled holes in the sides. NOTE: If drawers are to be included, connect the slide support panels to the inside of the cabinets before the connect bolts are inserted (the same holes are used for both). Then insert drawers onto the slides.

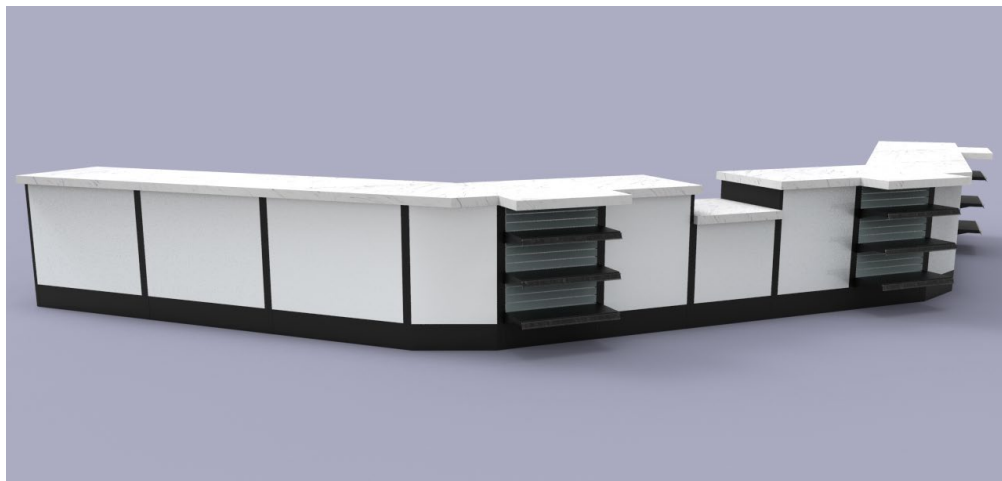
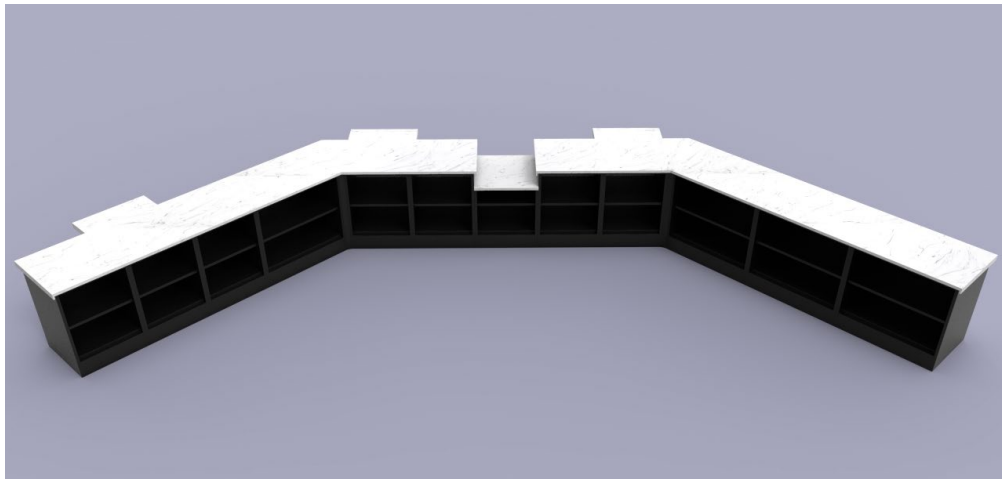
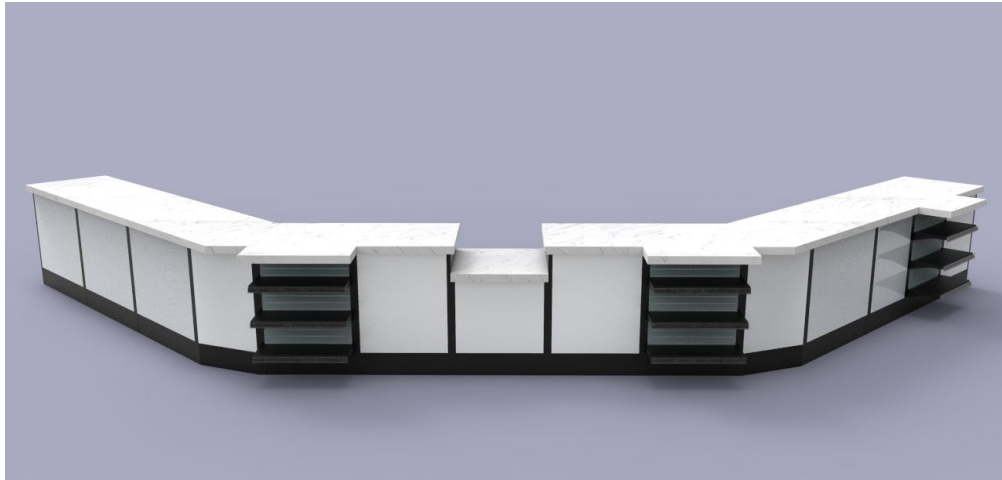


ON THE FRONT SIDE, YOU HAVE THE FOLLOWING OPTIONS:

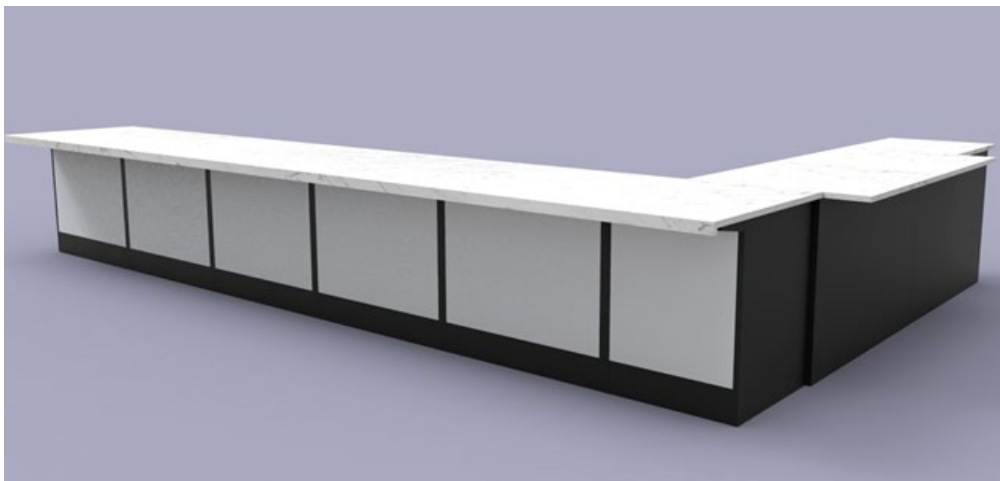
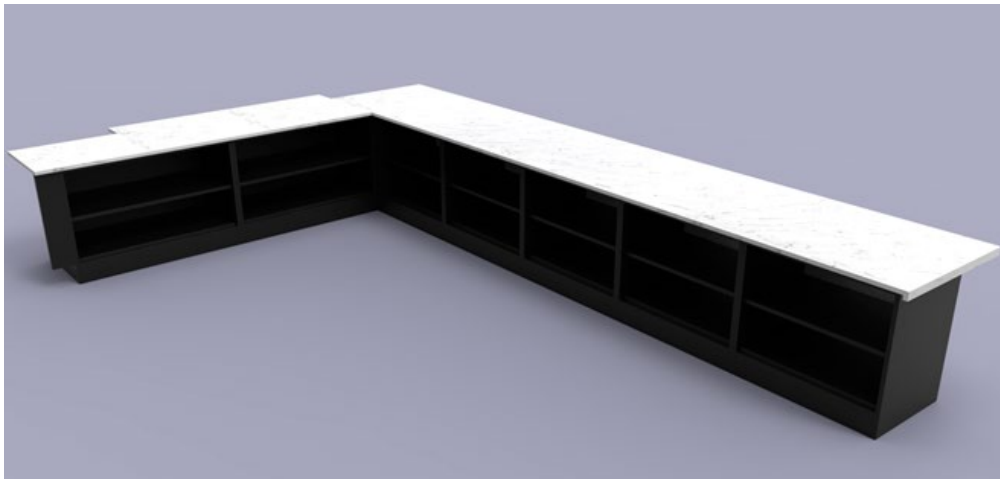
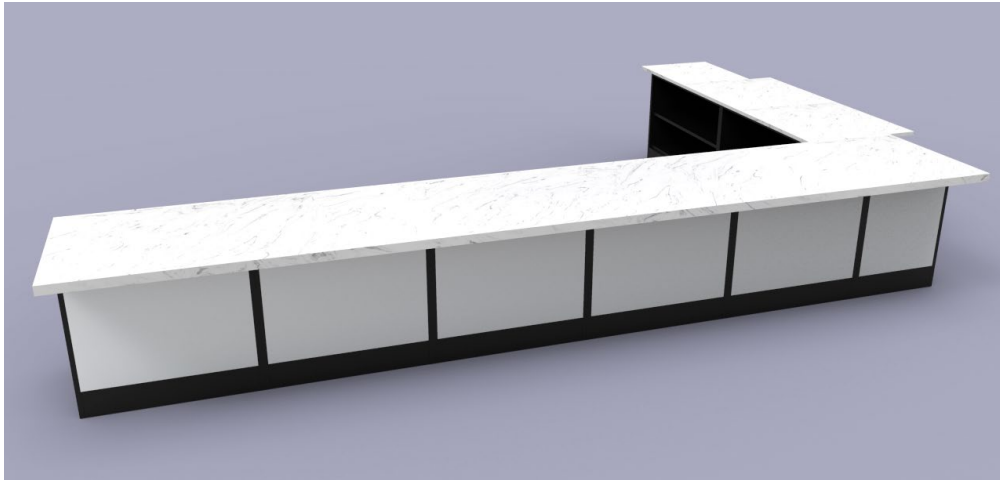
7. Leave it open.
8. If doors are to be included, attach the hinges to the cut outs in the back side of the door in the pre-drilled slots. Secure with screws. Next attach the hinges to the sides of the cabinets with three screws through the pre-drilled holes. Adjust hinges so that doors are level.
9. Place the counter top on the cabinets in its correct position and attach with wood screws through the holes in the top flange of the cabinet sides. One screw per side is plenty.



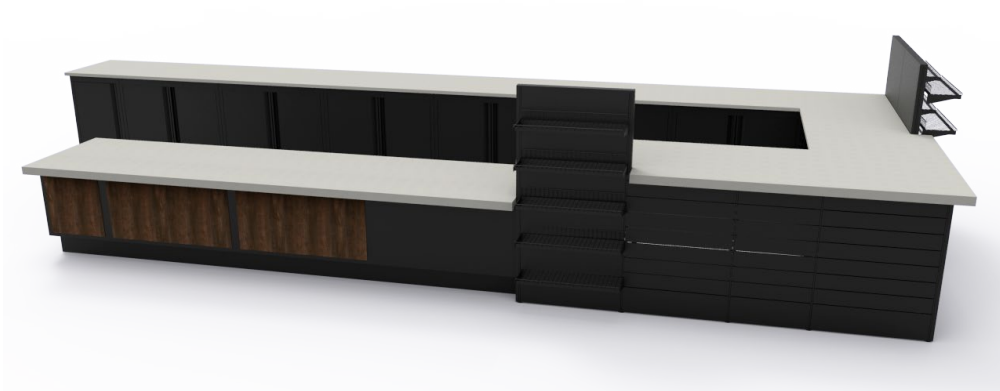
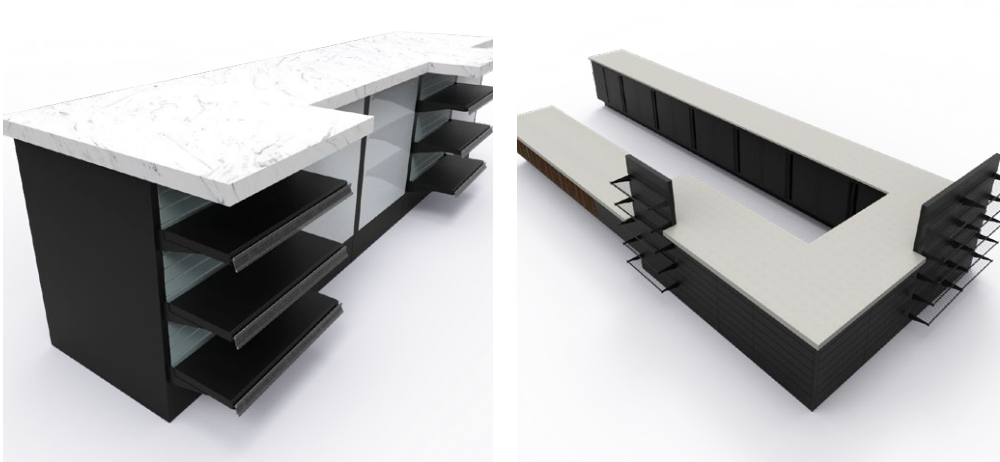
Shop-Flex Metal Cabinets



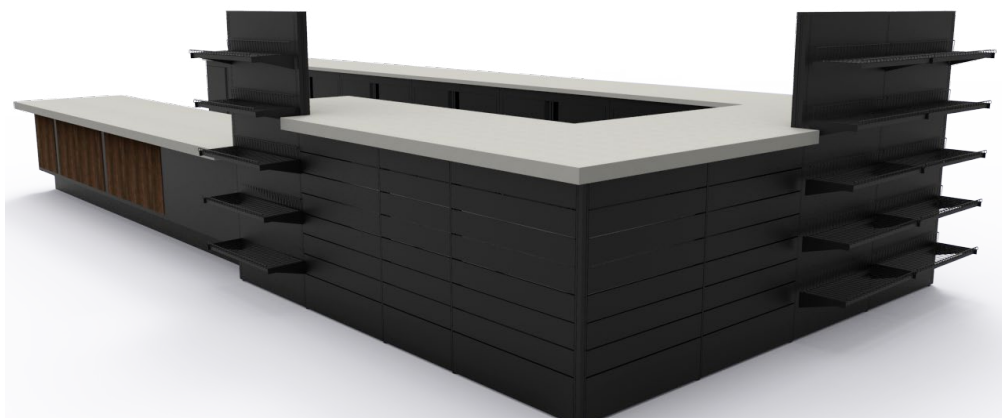
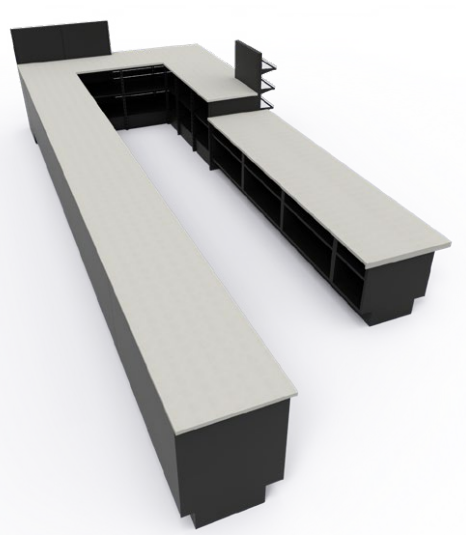
Shop-Flex Metal Cabinets

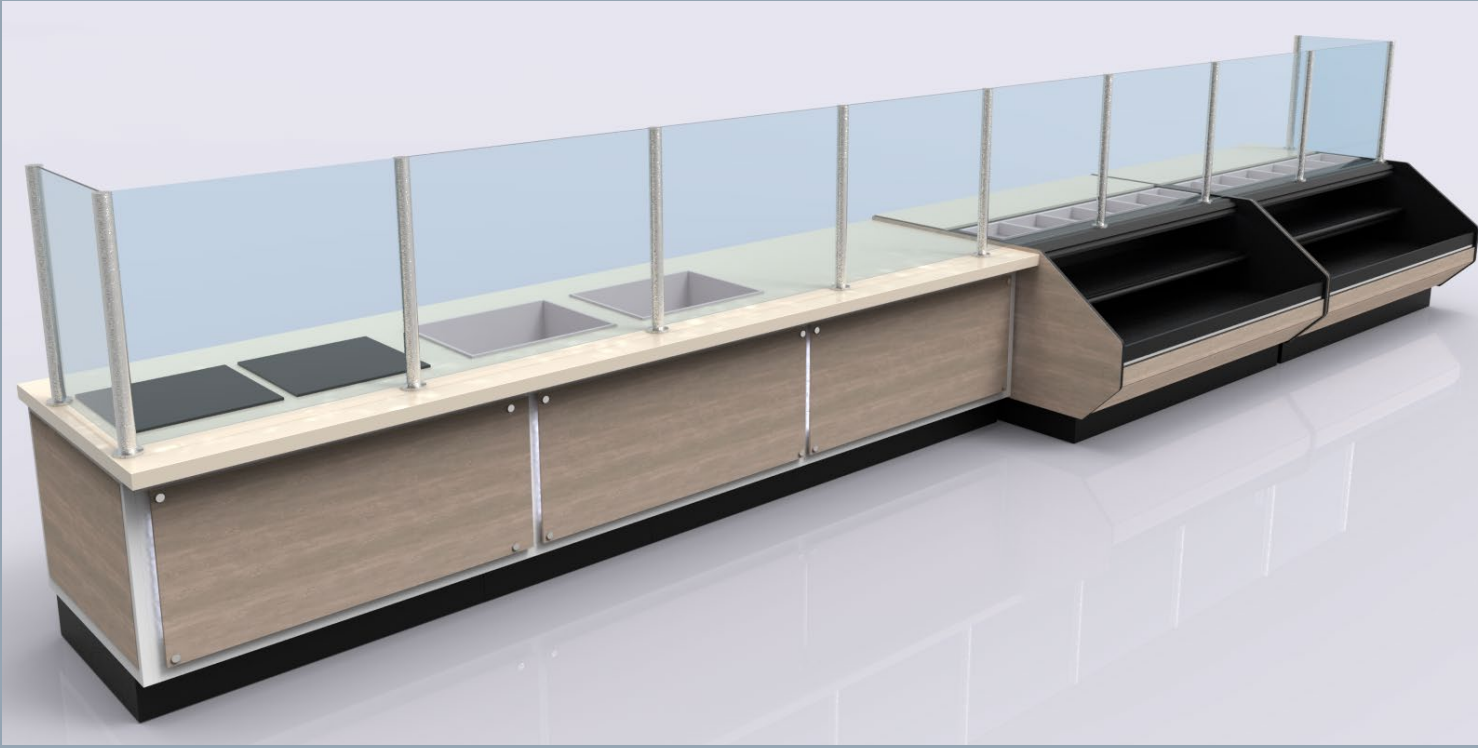


Shop-Flex Metal Cabinets



Shop-Flex Metal Cabinets





SHOPCO's Metal Food Service Counters carry the same load capacities and qualities of traditional systems, but surpass these systems with the unique advantage of being in stock, ready-to-ship with no fabrication lead time! SHOPCO's Metal Food Service Counters System utilizes a variety of units to create a Counter sequence that meets your specific retail needs. We offer a full line of all-metal Counters with options such as prep units, waste units, beverage units, condiments units, and microwave units.

All units are stocked in white, beige, and black. Counter top fabrications are also available through SHOPCO: Solid Surface, Plastic Laminate and Stainless Steel. In addition, you also have the choice of stainless-steel legs or metal bases. The all-metal components provide limitless design opportunity, while maintaining the durability and cleanliness of powder-coated metal, which makes the Metal Cabinet System ideal for QSR and retail food service applications.

The system is so flexible, merely swapping a few pieces can change the lengths, depths and Counters style in minutes.

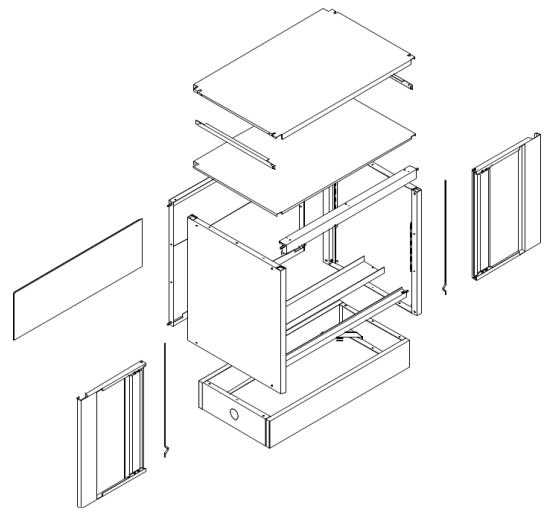
Food & Beverage Metal Cabinets

CUSTOM STYLE FABRICATION ADVANTAGES:

- Units typically ship assembled for ease of installation. However, they may be ordered unassembled for reduced shipping costs.
- Quick ship availability, since components are stocked rather than fabricated per order.
- Ease of on-site modifications without ordering an entire new cabinet.
- Complete inventory of components stocked in black, beige and white.
- Allows for easy custom powder-coating of non-standard colors.
- Permits versatility unmatched in our industry.

ADDITIONAL FEATURES:

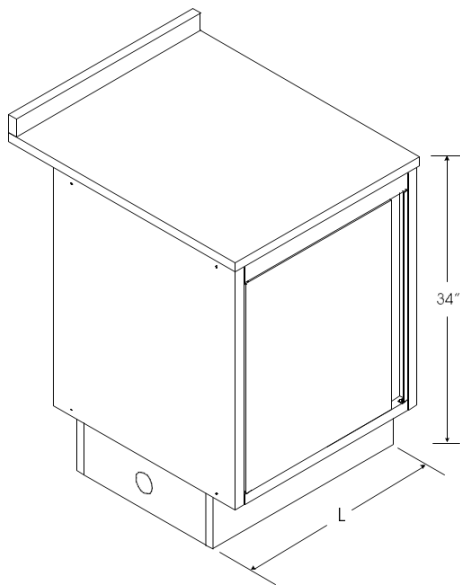
- Variety of cabinet lengths and depths.
- Standard cabinet bodies are 33" high including a 5" base, for a total cabinet height of 34" with a 1" thick counter top.
- Wide variety of counter tops available, including plastic laminate, stainless steel and solid surface materials.
- Removable base shelves and adjustable interior shelves.
- Standard cabinets include back panels with openings to access electrical and plumbing chase (Optional back panel fillers are available).
- Counter tops fabricated per layout (not individual unit) to minimize seams.
- Standard counter top design is deeper than cabinet body to provide electric and plumbing chase behind unit.
- Units come with standard 6" high metal base with four levelers for easy adjustment or optional stainless steel or powder-coated legs.
- Many design options are available, such as plastic laminate on doors and/or custom doors.



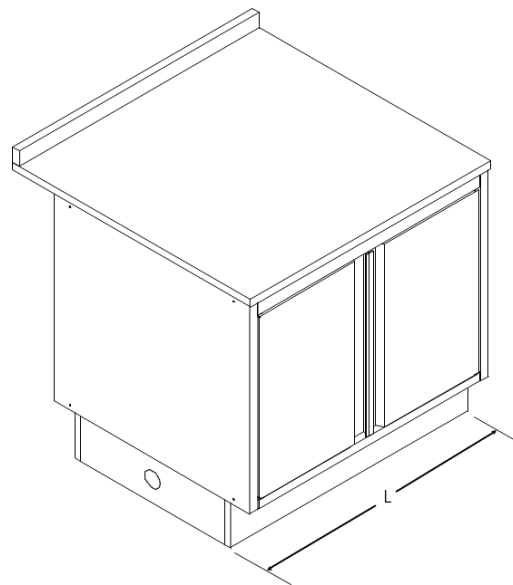
Food & Beverage Metal Cabinets

PREP UNIT FEATURES:

- Back panel with opening to access chase
- Optional filler for back panel opening
- One adjustable interior shelf
- One removable base shelf
- Cabinet body height - 33" (excluding counter top)
- Cabinet body depths - 18", 24", 30", 36"
- Cabinet body lengths - 12", 18", 24", 30", 36" and 48"
- Standard counter tops are designed to provide a 5 1/2" electrical and plumbing chase behind cabinet
- Optional end filler panels available



12", 18" AND 24" LONG
CABINETS HAVE ONE DOOR

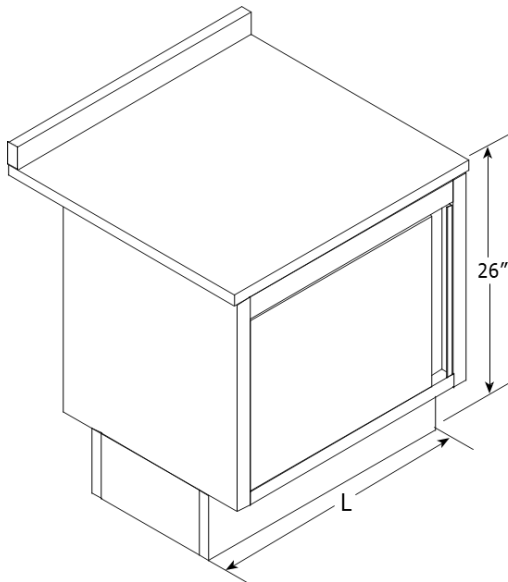


30", 36" AND 48" LONG
CABINETS HAVE TWO DOORS

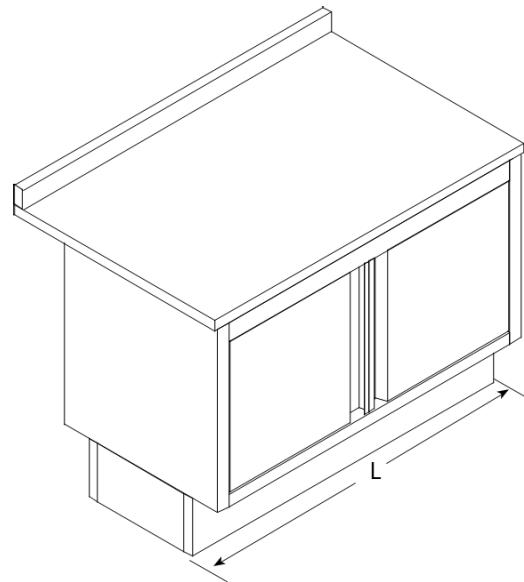
Food & Beverage Metal Cabinets

LOW PREP UNIT FEATURES:

- Full back panel (with no chase access opening)
- One adjustable interior shelf
- One removable base shelf
- Cabinet body height - 25" (excluding counter top)
- Cabinet body depth - 18" and 24"
- Cabinet body length - 24", 36" and 48"
- Standard counter tops are designed to provide a 5.5" electrical and plumbing chase
- Optional end filler



24" LONG CABINET
HAS ONE DOOR

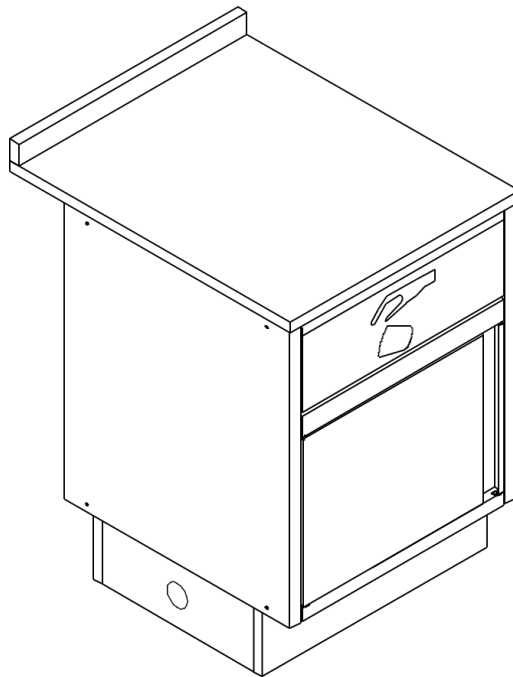


36" AND 48" LONG
CABINETS HAVE TWO DOORS

Food & Beverage Metal Cabinets

WASTE UNIT FEATURES:

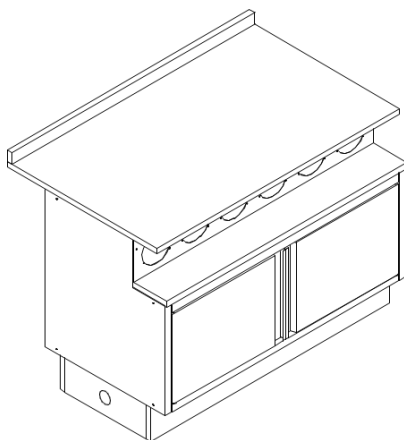
- One door and one stainless steel trash flap
- Waste bin included (with stop for correct positioning of trash can)
- Removable base shelf
- Full back panel with no chase access opening
- Cabinet body height - 33" (excluding counter top)
- Cabinet body lengths - 12", 18" and 24"
- Cabinet body depths - 24" and 30"
- Standard counter tops are designed to provide a 5 1/2" electrical and plumbing chase
- Optional end filler panels available



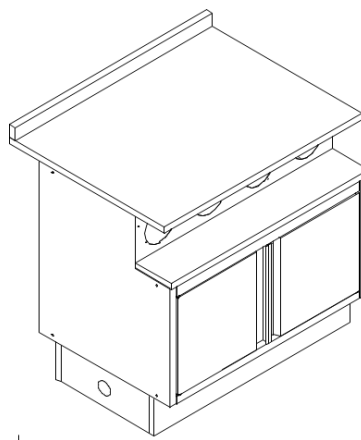
Food & Beverage Metal Cabinets

CUP DISPENSER UNITS FEATURES:

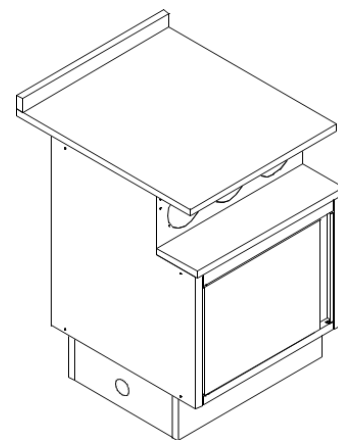
- Stainless steel step ledge with cut-outs for cup dispensers
- Cup dispensers sold separately
- Internal support bar for cup dispensers is included
- Back panel with opening to access chase
- One removable base shelf
- Cabinet body height - 33" (excluding counter top)
- Cabinet body depths - 24", 30" and 36"
- Cabinet body length - 24", 36" and 48"
- Heavy duty internal support optional for 36" length, standard for 48" length units
- Standard counter tops are designed to provide a 5 1/2" electrical and plumbing chase
- Optional end filler panels available



48" LONG UNIT
6 CUP DISPENSER OPENINGS



36" LONG UNIT
4 CUP DISPENSER OPENINGS

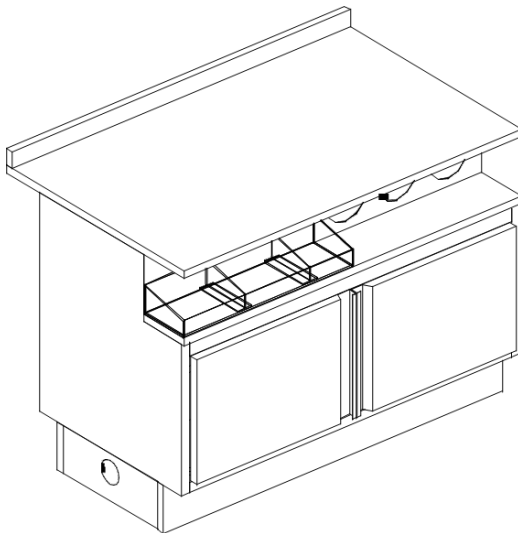


24" LONG UNIT
3 CUP DISPENSER OPENINGS

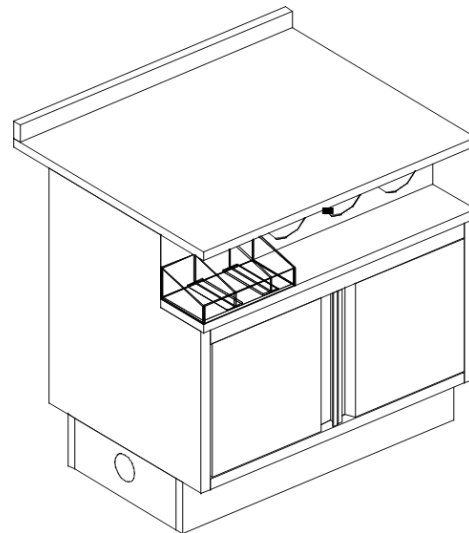
Food & Beverage Metal Cabinets

CUP DISPENSER PLUS CONDIMENT TRAY UNIT FEATURES:

- Stainless steel step ledge with cut-outs for cup dispensers, and positioning pins for acrylic condiment tray
- Cup dispensers sold separately
- Acrylic condiment tray included
- Internal support
- Back panel with opening to access chase
- One removable base shelf
- Cabinet body height - 33" (excluding counter top)
- Cabinet body depths - 24", 30" and 36"
- Cabinet body lengths - 36" and 48"
- Heavy duty internal support optional for 36" length, standard for 48" length
- Standard counter tops are designed to provide a 5 1/2" electrical and plumbing chase
- Optional end filler panels available



48" LONG UNIT
3 CUT-OUTS + 24" TRAY

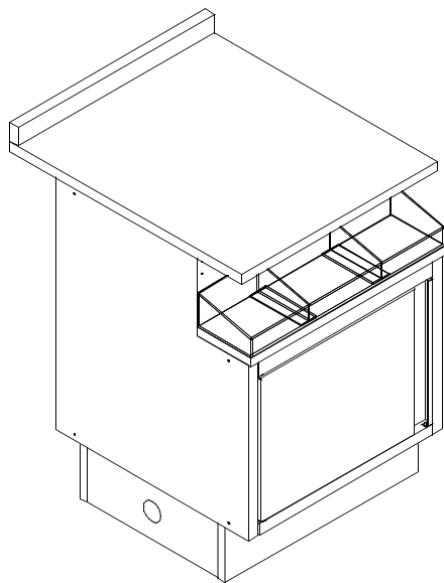


36" LONG UNIT
3 CUT-OUTS + 12" TRAY

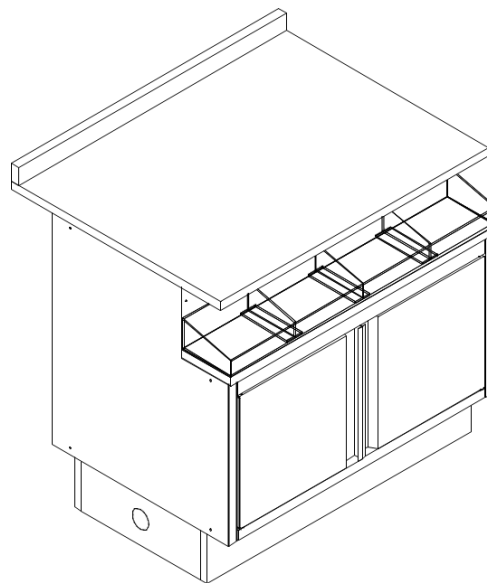
Food & Beverage Metal Cabinets

CONDIMENT UNIT FEATURES:

- With stainless steel step ledge and acrylic condiment tray
- Back panel with opening to access chase (optional filler for back panel opening available)
- One removable base shelf
- Cabinet body height - 33" (excluding counter top)
- Cabinet body length - 24", 36" and 48"
- Cabinet body depths - 18", 24", 30" and 36"
- Internal heavy duty support included in all 48" length units
- Special 48"L by 18"D unit available
- Standard counter tops are designed to provide a 5 1/2" electrical and plumbing chase
- Optional end filler panels available



24" LONG CABINETS
HAVE ONE DOOR

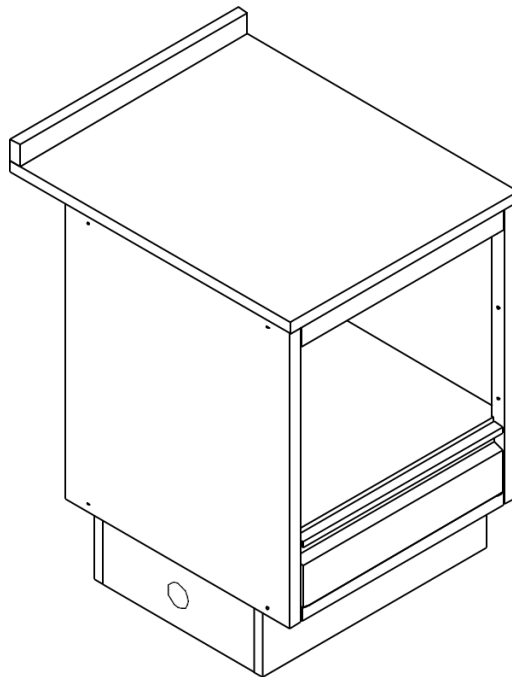


36" AND 48" LONG
CABINETS HAVE TWO DOORS

Food & Beverage Metal Cabinets

MICROWAVE UNIT FEATURES:

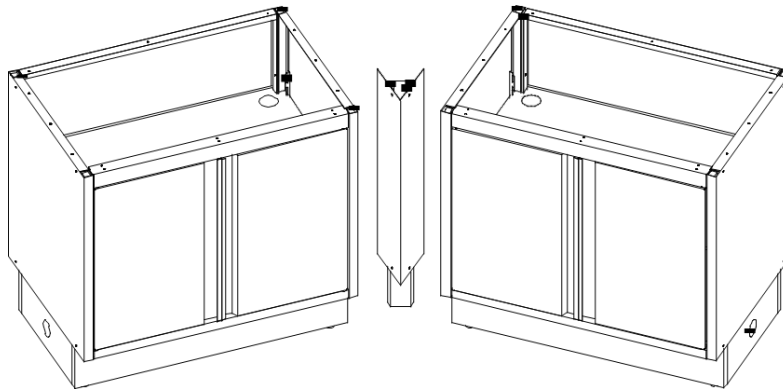
- Back panel with opening to access chase (optional filler for back panel opening available)
- One storage drawer
- Interior shelf for microwave placement
- Cabinet body height - 33" (excluding counter top)
- Cabinet body length - 24"
- Cabinet body depth - 24"
- Clear opening for microwave cabinet is 22 1/8" w x 16 1/8" h x 20" d
- Standard counter tops are designed to provide a 5 1/2" electrical and plumbing chase
- Optional end filler panels available



Food & Beverage Metal Cabinets

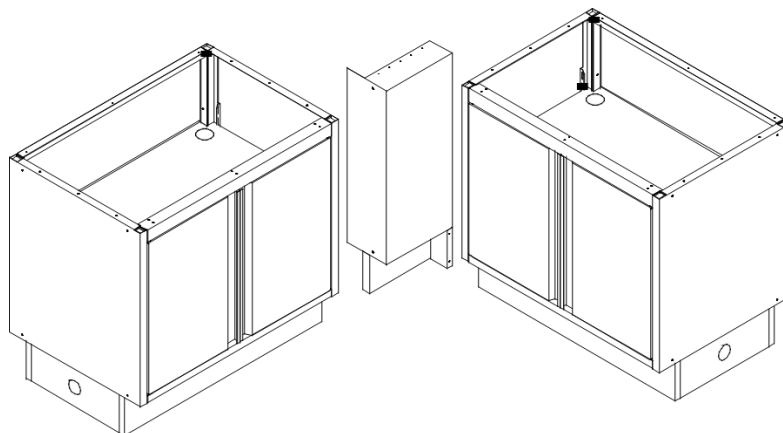
45 DEGREE FILLER PANEL FEATURES:

- Designed to attach two units for an inside 45 degree corner
- Fills base and cabinet area



90 DEGREE FILLER PANEL FEATURES:

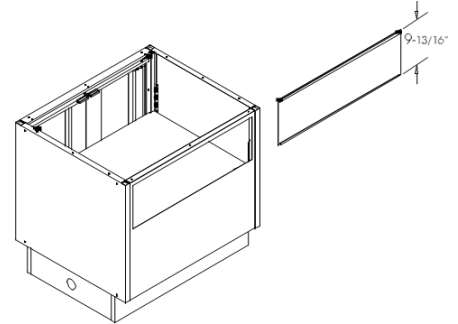
- Designed to attach two units for an inside 90 degree corner
- Fills base and cabinet area



Food & Beverage Metal Cabinets

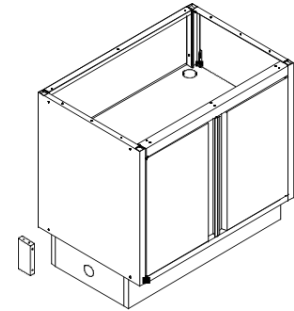
BACK PANEL FILLER FEATURES:

- To fill chase opening in back panel of cabinet
- Can be easily installed and removed from within the cabinet body



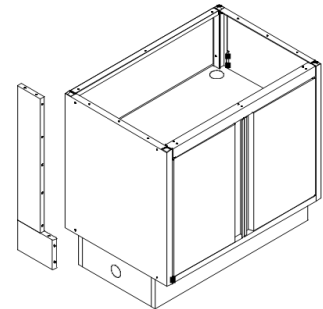
BASE PANEL FILLER FEATURES:

- To fill base opening between cabinet base and wall
- To be used in place of end filler for cabinets without chase



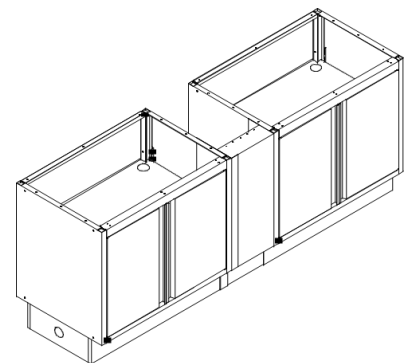
END FILLER PANEL FEATURES:

- Designed to finish off the opening of a standard 5 1/2" chase
- Finishes base and cabinet area at the end of a run



ADJUSTABLE FILLER PANEL FEATURES:

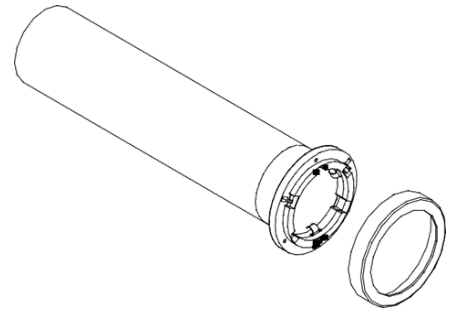
- Designed to complete a cabinet run unequal to length of standard cabinet bodies. *Easily cut to size in field; adjustable from 2" to 12" in length
- Unique design provides finished edges after cutting to size



Food & Beverage Metal Cabinets

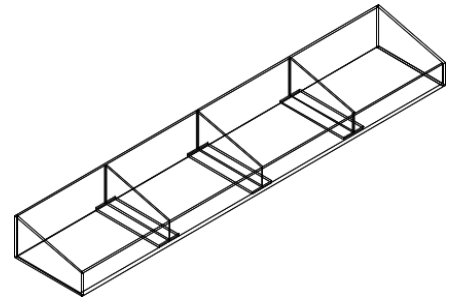
CUP DISPENSERS:

- One-size-fits-all adjustable cup dispenser utilizes a three clip design for a variety of paper, plastic and foam cups. The fingers can be adjusted to fit 8 oz. to 44 oz. size cups without having to be removed from the cabinet. Available in 18" and 23" lengths.



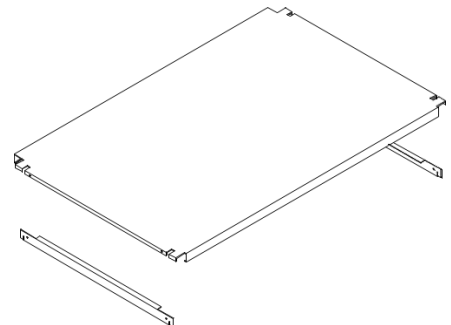
CONDIMENT TRAY:

- 6" deep
- Includes adjustable dividers for various condiment items
- Tray lengths - 12", 24" and 36"



ADJUSTABLE INTERIOR SHELF:

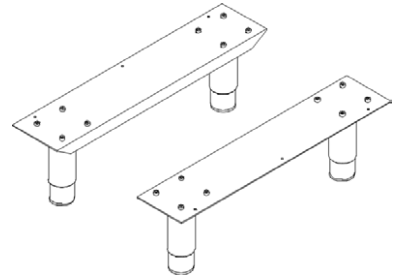
- Requires two brackets



Food & Beverage Metal Cabinets

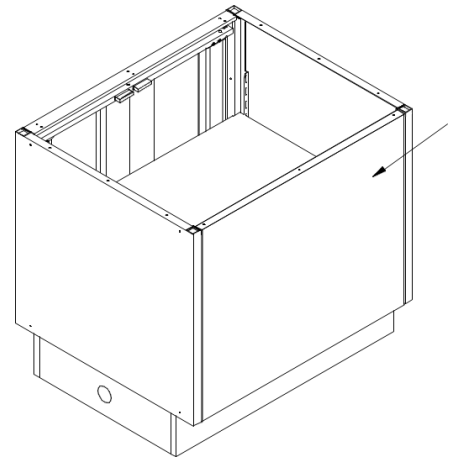
STAINLESS STEEL & POWDER COATED LEGS:

- To be used in place of standard base when desired
- Height is adjustable from 5.5" to 9.5"
- Castors are also an available option

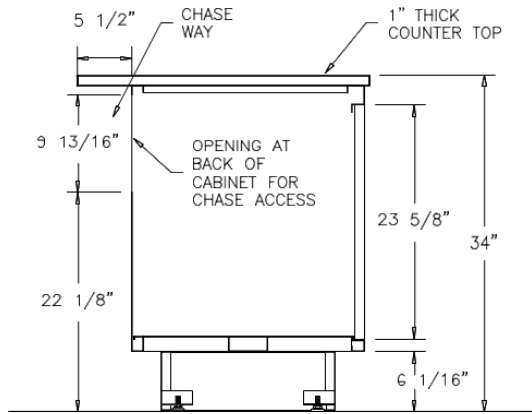


FULL BACK PANEL:

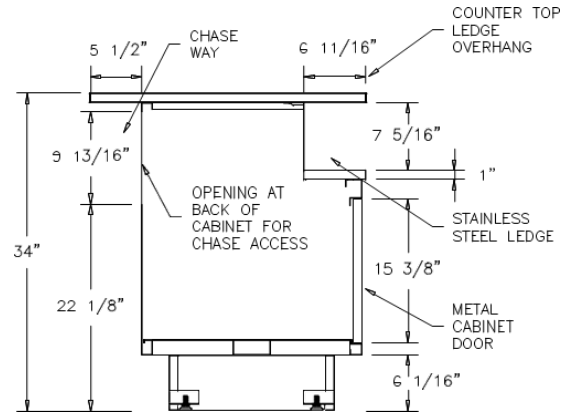
- Back panel without chase opening
- Available for all cabinet sizes
- Supplied standard on trash unit



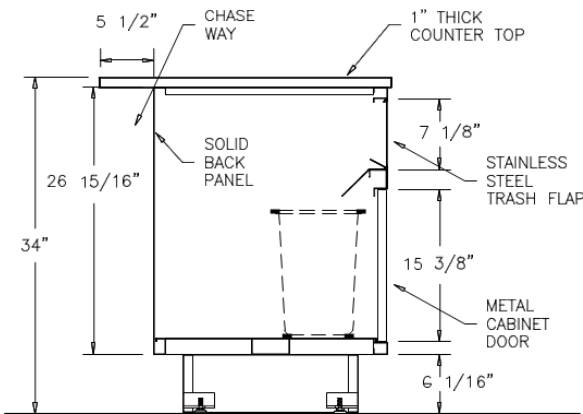
Food & Beverage Metal Cabinets



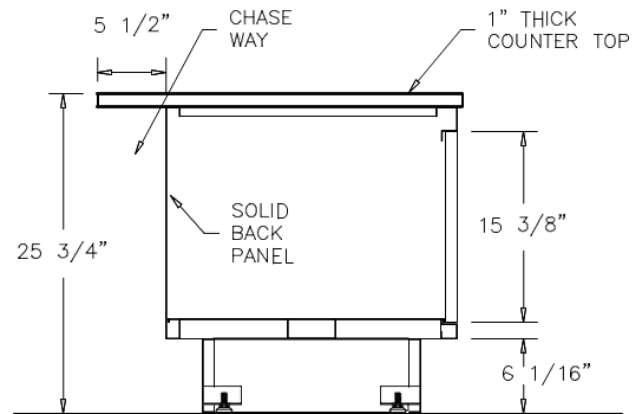
STANDARD PREP UNIT



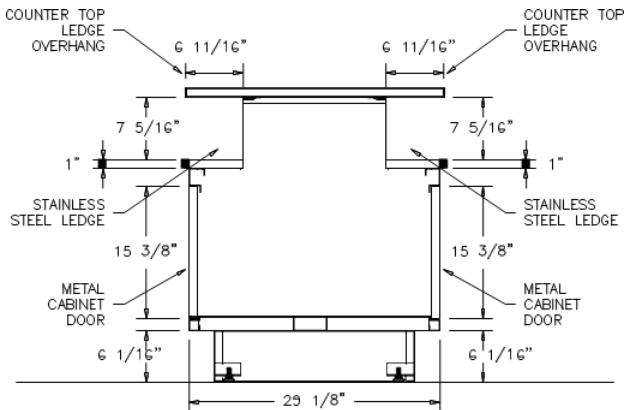
BEVERAGE UNIT



TRASH UNIT



LOW PREP UNIT



CONDIMENT PEDESTAL

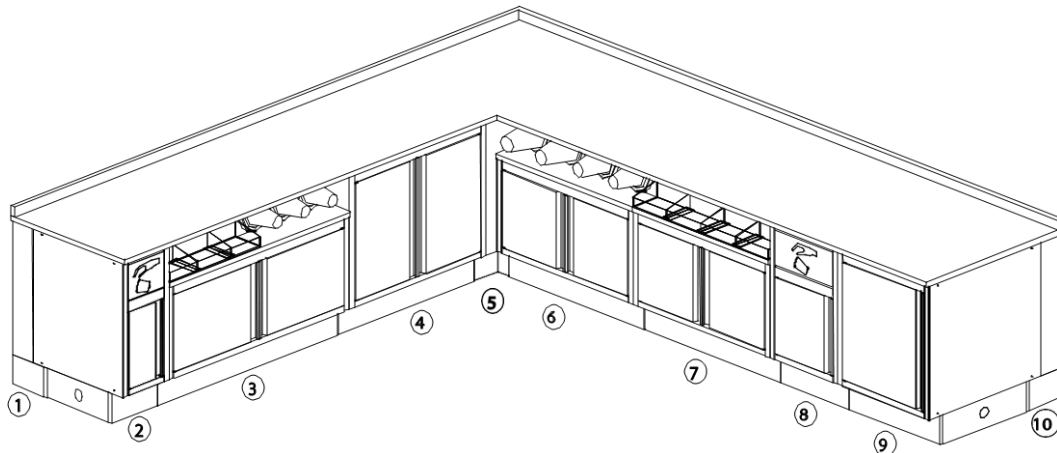
ACTUAL CABINET LENGTHS	
NOMINAL LENGTH	ACTUAL LENGTH
12"	11-13/16"
18"	17 -3/4"
24"	23 -5/8"
30"	29 -1/2"
36"	35 -7/16"
48"	47 -1/4"

Food & Beverage Metal Cabinets

DESIGN SERVICE:

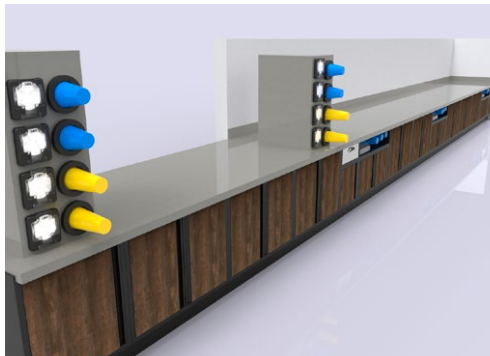
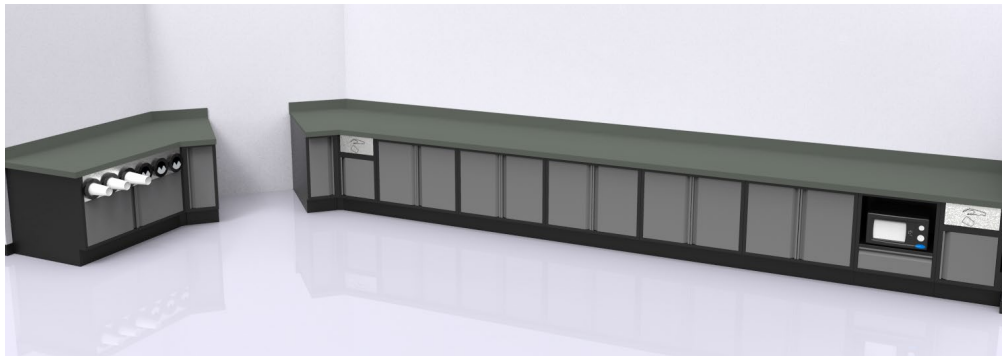
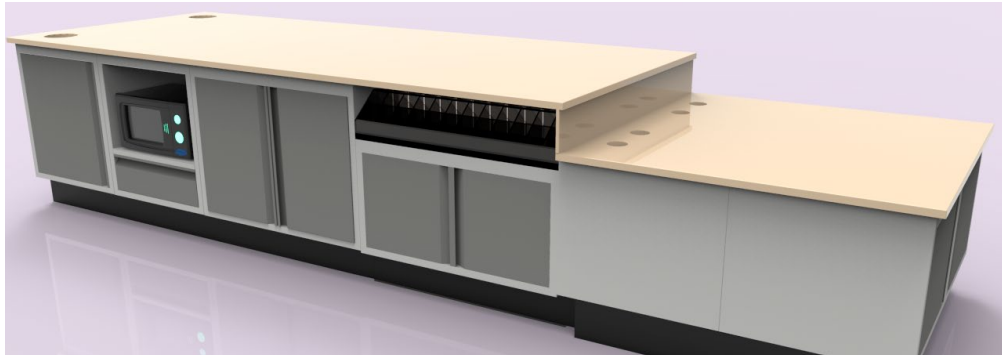
With SHOPCO's AutoCAD design service, our design department can create an exciting new Metal Cabinet layout that is customized to fit your store's specific requirements.

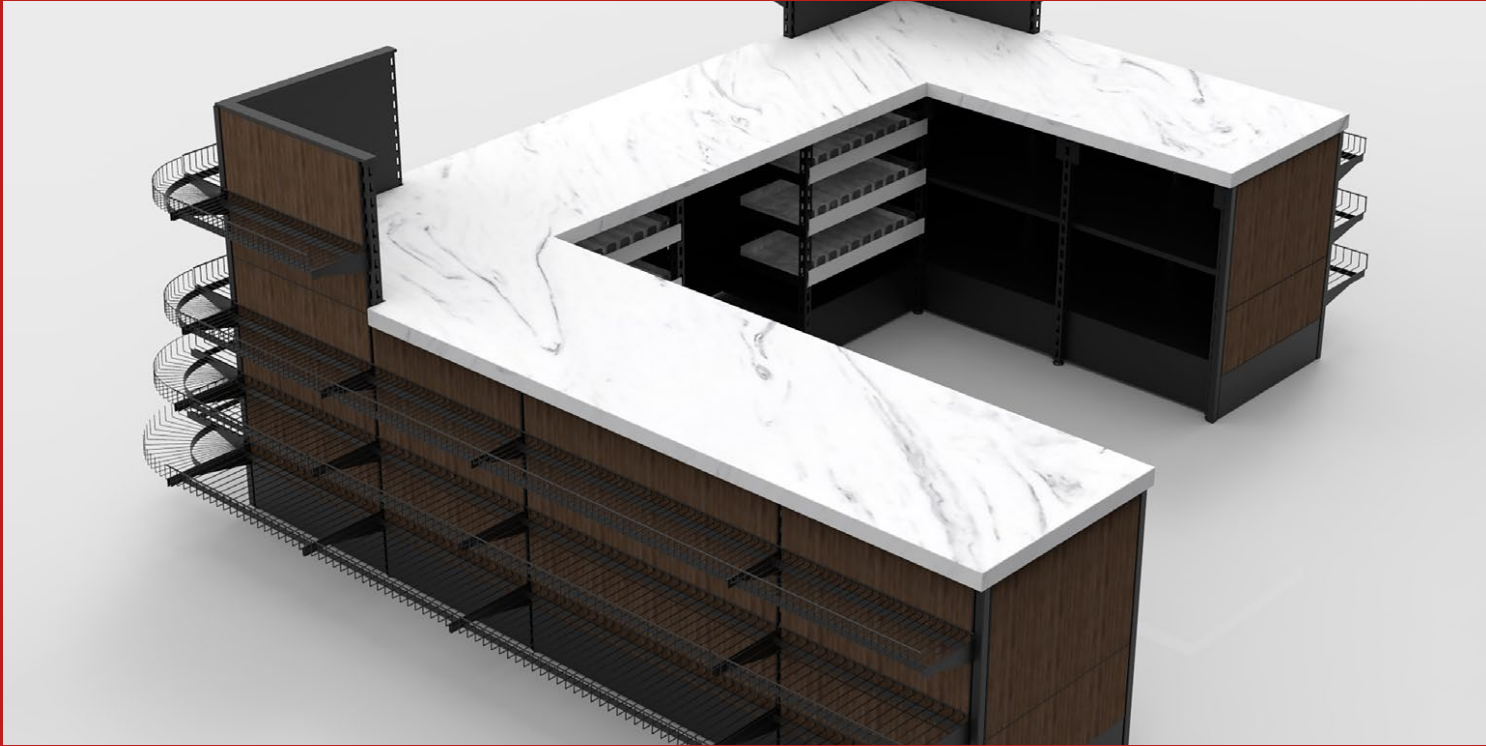
Our design department not only creates entire new store layouts, but can also retrofit your existing store in order to provide a functional design with a contemporary upscale look and feel.



1. End Filler Panel
2. 12" L X 24" D Waste Unit
3. 48" L X 24" D 3 Cup and Condiment Beverage Unit
4. 36" L X 24" D Prep Unit
5. 90 Degree Filler Panel
6. 36" L X 30" D 4 Cup Dispenser Unit
7. 36" L X 30" D Condiment Unit
8. 18" L X 30" D Waste Unit
9. 24" L X 30" D Prep Unit
10. End Filler Panel

Food & Beverage Metal Cabinets





GET THE MOST IMPACT OUT OF YOUR SALES COUNTER

The retail sales counter can potentially have the greatest impact on the customer. Since every customer must stop here, it is important to make the visit productive and profitable. By utilizing the same standard, mass produced components from SHOPCO's Euro-Style Gondola Shelving, the 4D Upright Sales Counter is a functional, all-metal sales counter designed just for you! The 4D Sales Counter is a unique component checkout counter design. Much like the concept of an "erector set", this sales counter system is made up of mass-produced standard components that can be assembled in different ways to create a customized solution for all retail merchandising needs.

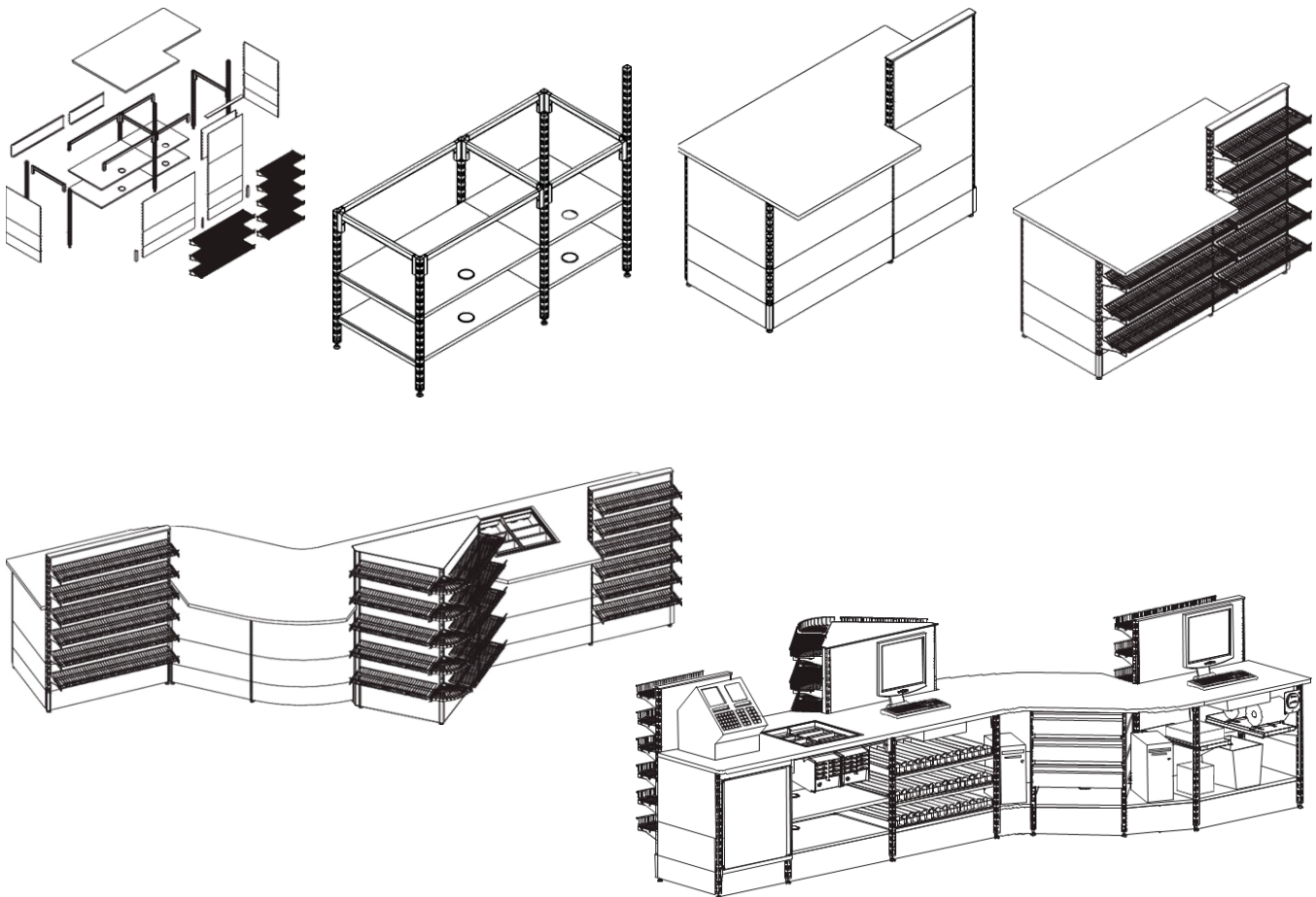
4D Sales Counters are available with metal smooth, pegboard, slat wall and mini-slat wall panels. Curved sections are also available. Counter interior on Clerk side can be customized to suit various equipment needs as required including interior shelves, cigarette trays, bag holders, printer shelves, trash can areas, drawers, safe openings and built/drop-in lottery displays.

Our 4D Sales Counters can be designed to match our food and beverage service counters and gondola shelving systems.

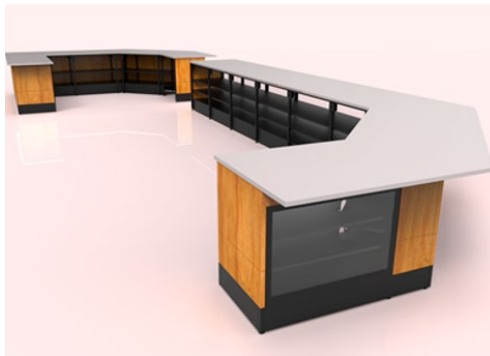
4D Sales Counters

SHOPCO's 4D Sales Counter incorporates curved and straight sections with vertical merchandising to promote impulse sales, while better defining checkout points. The counter system permits customization of the Clerk side for maximum utilization of available space. Design your sales counter to fit your specific needs and improve the efficiency of your Store Clerks. Sales Counters are in stock in black, white, and beige.

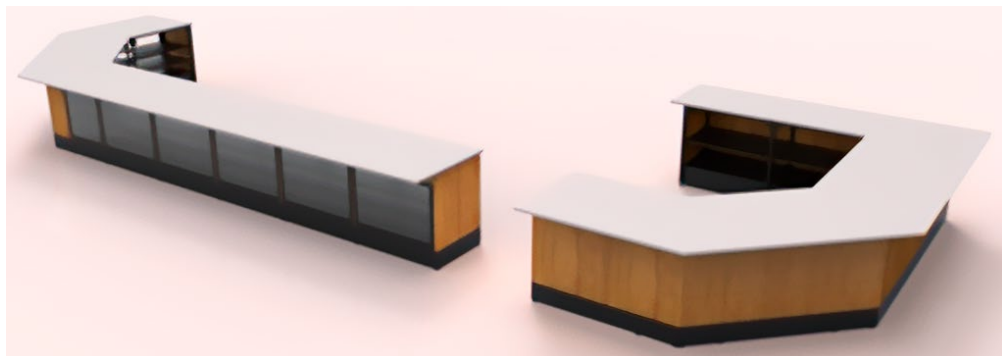
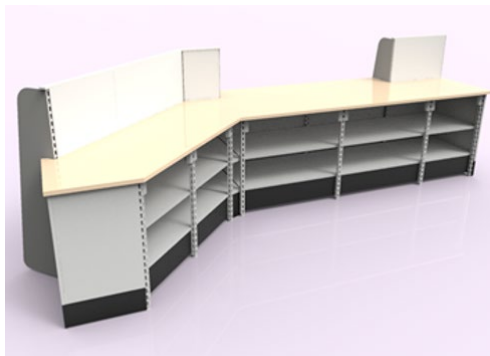
Designed with the intent to impact the customer, the 4D Sales Counter can incorporate true radius corners and shelves, vertical front merchandisers and counter tops in a wide variety of finishes, including laminate, solid surface, or a combination. SHOPCO's sales counters can easily be designed to integrate a wide variety of c-store equipment, cigarette drawers, bagging systems, and more. Likewise, SHOPCO's component style design allows for easy access to all areas of the sales counter for your electrical requirements and offers the ability to embrace many ergonomic features.



4D Sales Counters



4D Sales Counters





SHOPCO USA: Is now a distributor for Imageworks fixtures

- Classic version:
- Affordable
- Built to your needs to match your budget. Addresses all tobacco lines and can be fully customized.
- Flexible
- High & low-profile options available. 55" - 99.5"
- Available in 2', 3', or 4' widths.
- Quality
- Durable metal frame construction; simple installation.
- Illuminated & Digital Headers
- LED Shelf Lighting
- Locking Storage Drawers

Impact Version:

Ultimate Versatility

One foot shelving featuring vertical adjustability in 1/2" increments.

No Gaps - continuous product presentation.

Adjustable Profiles

Available in low, condensed, and high profiles.

Adjustable in 3" increments (55" - 88").

Simplify Resets

Easily reconfigure product and signage, not the frame.

- Illuminated & Digital Headers
- LED Shelf Lighting
- Locking Storage Drawers
- Locking Security Doors

SHOPCO EURO GONDOLA SYSTEMS



SHOPCO's all metal Euro Gondola Shelving comes in a variety of lengths, depths and heights to meet all of your retail merchandising needs. This shelving system is stocked in black, beige and white. SHOPCO Gondola Shelving can also be powder-coated to custom colors for various design requirements. Choose from all metal back panels either smooth, metal pegboard, metal slat wall and heavy duty metal mini-slat wall panels. Traditional and curved gondolas available in stock and ready to ship!

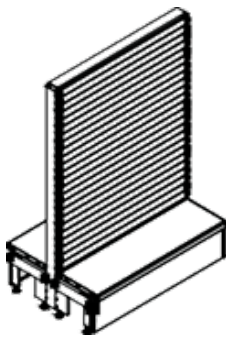
Our unique gondola shelving system is used in a variety of retail applications including convenience stores, supermarkets, and grocery stores. SHOPCO gondolas are adaptable to almost any type of store due to its modular design. SHOPCO Gondola Shelving can help insure that your store is uniform and distinguishable by giving store owners the ability to brand their merchandising systems.

If your convenience store, supermarket, or grocery store just needs a remodel, SHOPCO is here to help! We can assist you with your store layout and design with our CAD Services or with our vast network of certified installers. If your gondola shelving just needs to be spruced up, we carry a variety of replacement parts, including peg hooks, shelves, back panels, front fences and more, in stock and ready to ship.

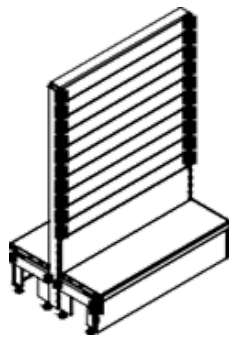
SHOPCO Euro Gondola Systems

CHOOSE FROM A VARIETY OF STYLES FROM TRADITIONAL TO CURVED SYSTEMS!

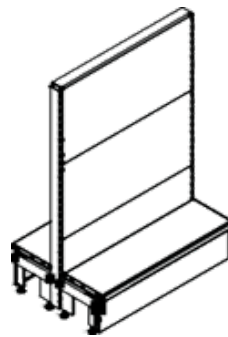
High and low bases available (pictured below with high bases)



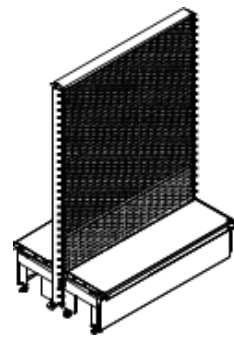
STRAIGHT GONDOLA WITH MINI-SLAT WALL PANELS



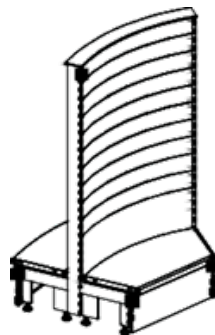
STRAIGHT GONDOLA WITH SLAT WALL PANELS



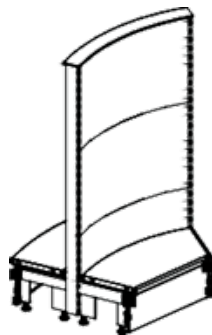
STRAIGHT GONDOLA WITH SMOOTH PANELS



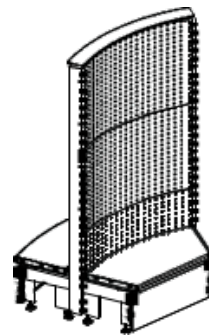
STRAIGHT GONDOLA WITH PEGBOARD PANELS



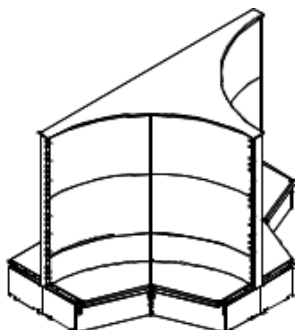
CURVED GONDOLA WITH SLAT WALL PANELS



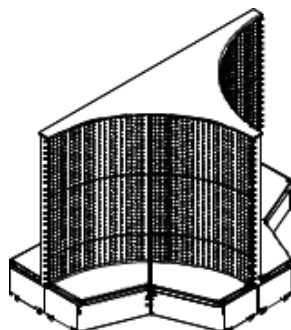
CURVED GONDOLA WITH SMOOTH PANELS



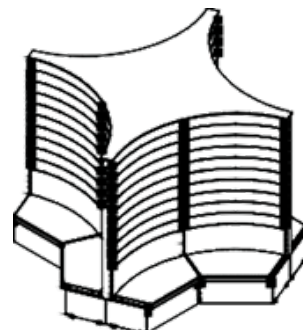
CURVED GONDOLA WITH PEGBOARD PANELS



SPLIT CURVE GONDOLA WITH SMOOTH PANELS



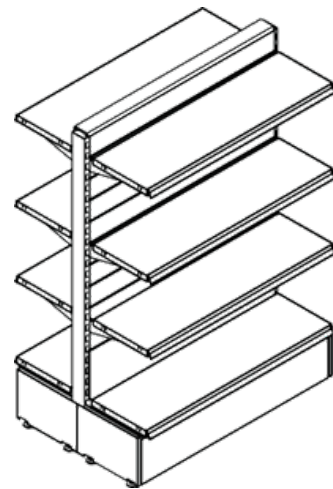
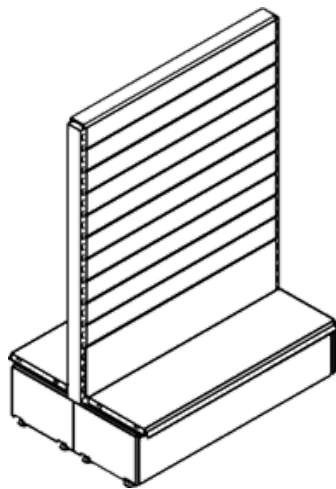
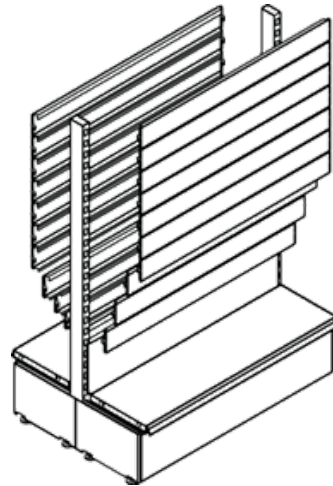
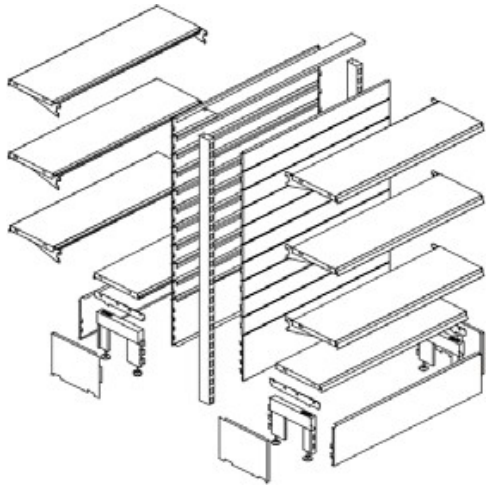
SPLIT CURVE GONDOLA WITH PEGBOARD PANELS



CLOVER LEAF GONDOLA WITH SLAT WALL PANELS

SHOPCO Euro Gondola Systems

LIMITLESS DESIGN OPPORTUNITIES!



SHOPCO Euro Gondola Systems





Madix Gondola Shelving is an industry standard that is compatible with many domestic shelving systems, giving you the option of buying Madix shelves on a quick ship basis for your existing domestic shelving systems. It also allows you to order new Madix gondolas from SHOPCO while using existing shelves from your current inventory.

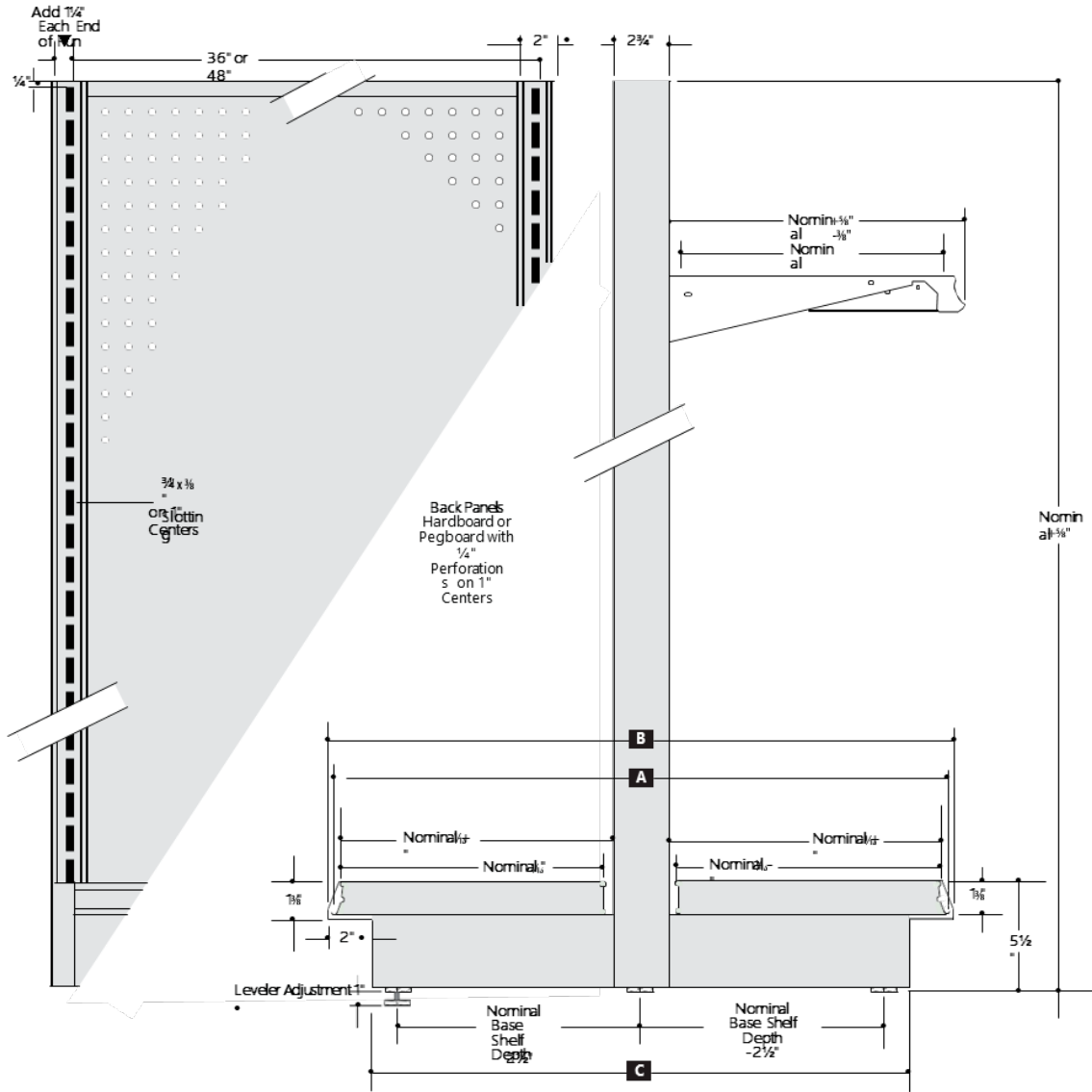
Madix store fixtures are manufactured in a highly automated facility with the most modern technology to create store fixtures that are as cost efficient as they are functional. Uprights are engineered of heavy gauge steel with a one inch slot pattern for adjustability and conformity to many other manufacturer's shelves, as well as vendor racks.

The five inch high foot is designed for ease of installation and structural integrity with levelers for use on all types of floors. The high density hardboard back panels fit flush with the front of the upright and are available in two colors (in stock in Black and Sahara). Madix Gondolas and wall units are stocked in 3-ft and 4-ft lengths, 48-in, 54-in, 60-in, 72-in, 84-in, and 96-in heights, with base decks from 12-in, 14-in, 16-in, 18-in and 22-in depths. Installation and assembly of Madix Gondolas or Wall Shelving in your store is easy.

Black and Sahara (beige) in inventory.

SHOPCO was chosen by Madix to be one of only a select few to be a master distributors of Madix products nationally!

Madix Gondola Systems



- Nominal Upright Heights 36" (914 mm) thru 96" (2438 mm) in 6" (152 mm) increments
- Nominal Base Shelf Depths 12" (305 mm) thru 30" (762 mm) in 2" (51 mm) increments
- Nominal Upper Shelf Depths 8" (203 mm) thru 30" (762 mm) in 2" (51 mm) increments

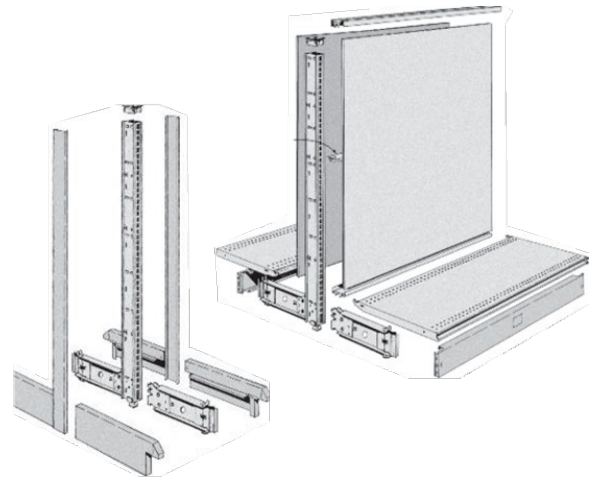
Nominal Base Shelf Depth	plus 3" plus	Nominal Base Shelf Depth	equals	Nominal Base Width
Bottom of TagMold to Bottom of TagMold	A	equals	Nominal Base Width	minus 1/4"
Front of Base End Cover to Front of Base End Cover	B	equals	Nominal Base Width	plus 7/8"
	C	equals		minus 3 1/4"

Madix Gondola Systems

GONDOLA PEGBOARD - STARTER

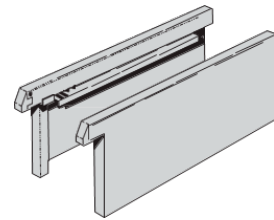
Length	Height	Depth
3'	48"	12", 14", 16", 18" and 22"
4'	48"	12", 14", 16", 18" and 22"
3'	54"	12", 14", 16", 18" and 22"
4'	54"	12", 14", 16", 18" and 22"
3'	60"	12", 14", 16", 18" and 22"
4'	60"	12", 14", 16", 18" and 22"
3'	72"	12", 14", 16", 18" and 22"
4'	72"	12", 14", 16", 18" and 22"

* SIDE BASE PANELS - ORDERED SEPARATELY



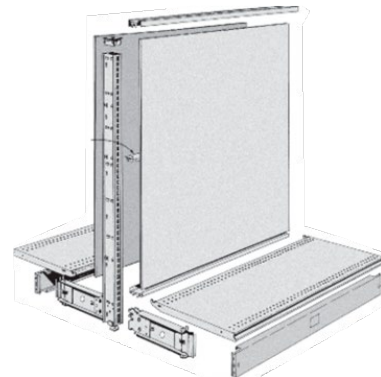
GONDOLA - SIDE BASE PANELS FOR STARTER

Depth	Height
10"	6"
12"	6"
14"	6"
16"	6"
18"	6"
22"	6"



GONDOLA PEGBOARD - ADD-ON

Length	Height	Depth
3'	48"	12", 14", 16", 18" and 22"
4'	48"	12", 14", 16", 18" and 22"
3'	54"	12", 14", 16", 18" and 22"
4'	54"	12", 14", 16", 18" and 22"
3'	60"	12", 14", 16", 18" and 22"
4'	60"	12", 14", 16", 18" and 22"
3'	72"	12", 14", 16", 18" and 22"
4'	72"	12", 14", 16", 18" and 22"

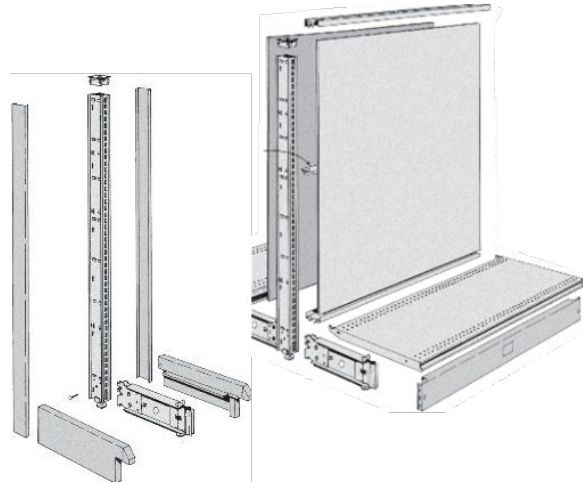


Madix Gondola Systems

END CAP - PEGBOARD - STARTER

Length	Height	Depth
3'	48"	12", 14" 16" 18" and 22"
3'	54"	12", 14" 16" 18" and 22"
3'	60"	12", 14" 16" 18" and 22"
3'	72"	12", 14" 16" 18" and 22"

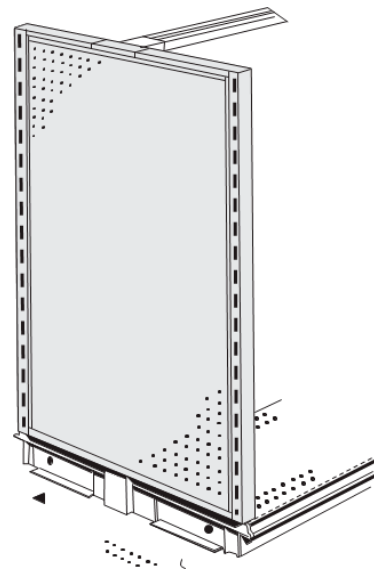
BLACK OR SAHARA (BEIGE)



END FRAME - PEGBOARD - STARTER

Length	Height	Depth
3'	54"	n/a
3'	72"	n/a

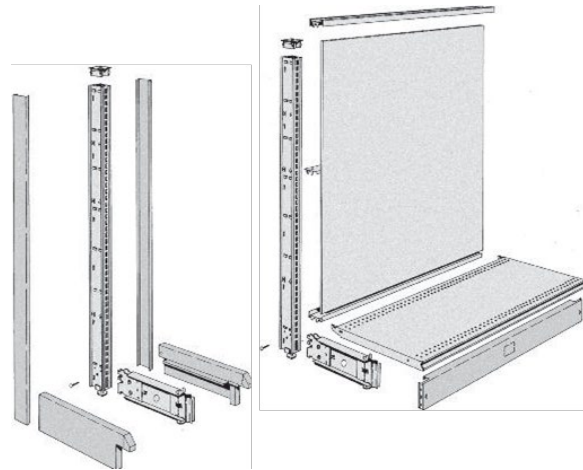
BLACK OR SAHARA (BEIGE)



Madix Gondola Systems

WALL UNIT - PEGBOARD - STARTER PEGBOARD FRONT - OPEN BACK

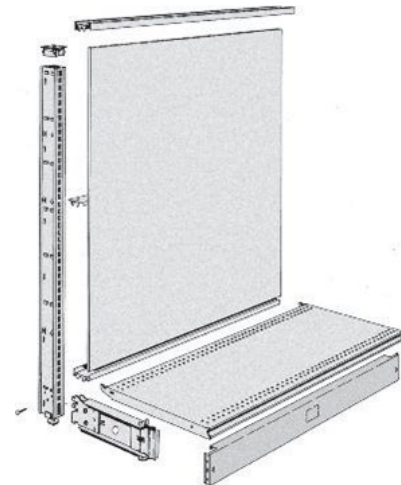
Length	Height	Depth
3'	48"	12", 14", 16", 18" and 22"
4'	48"	12", 14", 16", 18" and 22"
3'	54"	12", 14", 16", 18" and 22"
4'	54"	12", 14", 16", 18" and 22"
3'	60"	12", 14", 16", 18" and 22"
4'	60"	12", 14", 16", 18" and 22"
3'	72"	12", 14", 16", 18" and 22"
4'	72"	12", 14", 16", 18" and 22"
3'	84"	16" 18" and 22"
4'	84"	16" 18" and 22"
3'	96"	16" 18" and 22"
4'	96"	16" 18" and 22"



BLACK OR SAHARA (BEIGE)

WALL UNIT - PEGBOARD - ADD-ON PEGBOARD FRONT - OPEN BACK

Length	Height	Depth
3'	48"	12", 14", 16", 18" and 22"
4'	48"	12", 14", 16", 18" and 22"
3'	54"	12", 14", 16", 18" and 22"
4'	54"	12", 14", 16", 18" and 22"
3'	60"	12", 14", 16", 18" and 22"
4'	60"	12", 14", 16", 18" and 22"
3'	72"	12", 14", 16", 18" and 22"
4'	72"	12", 14", 16", 18" and 22"
3'	84"	16" 18" and 22"
4'	84"	16" 18" and 22"
3'	96"	16" 18" and 22"
4'	96"	16" 18" and 22"



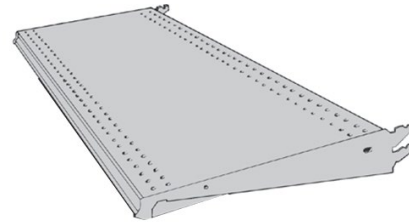
BLACK OR SAHARA (BEIGE)

Madix Gondola Systems

SOLID SHELVES WITH BRACKETS

Length	Depth
3'	8", 10", 12", 14" 16" 18", 20" and 22"
4'	8", 10", 12", 14" 16" 18", 20" and 22"

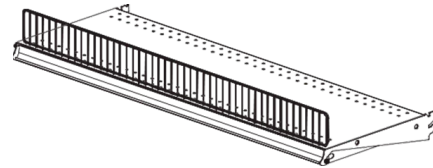
BLACK OR SAHARA (BEIGE)



WIRE FRONT FENCE

Length	Depth
3'	4"
4'	4"

BLACK OR SAHARA (BEIGE)



STYRENE FRONT FENCE

Length	Depth
3'	3"
4'	3"

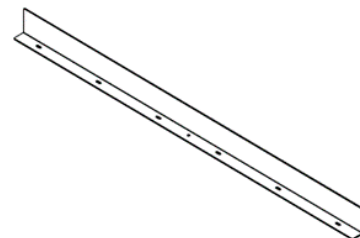
CLEAR



SHELF RETAINER FOR SOLID SHELF

Length	Depth
3'	1"
4'	1"

BLACK OR SAHARA (BEIGE)

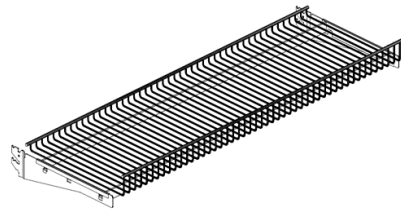


Madix Gondola Systems

WIRE SHELVES WITH BRACKETS

Length	Depth
3'	10", 12", 14" and 16"
4'	12", 14" and 16"

BLACK ONLY



PEG HOOK - FLIP SCAN

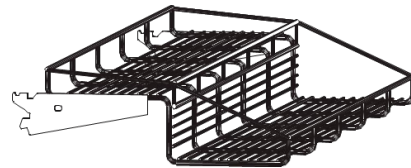
Length	Color
4"	Black or Galvanized
6"	Black or Galvanized
8"	Black or Galvanized
11"	Black or Galvanized



2-TIER PASTRY SHELF

Length
3'

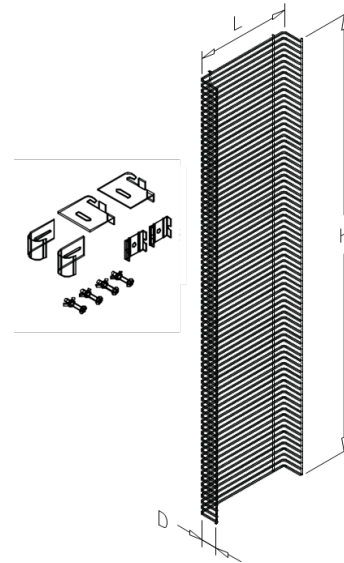
BLACK OR SAHARA (BEIGE)



Madix Gondola Systems

POWER WING

- Attaches to end cap units
- 14.5"L x 4.5"D x 36"H
- Standard stock colors are Black and Sahara (beige)
- Includes mounting clips and hardware



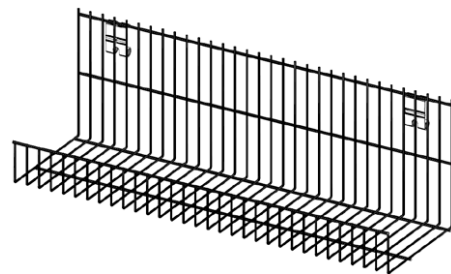
POWER WING MERCHANDISER (ATTACHES TO END CAP UNIT)

Length	Depth	Height
14.5"	4.5"	36"

POWER WING SHELF

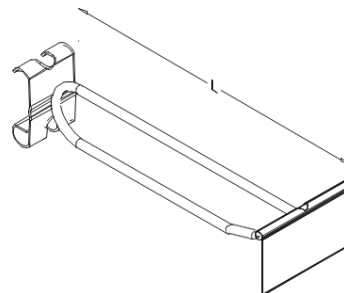
Length	Depth	Height
13"	4"	5"

Standard stock colors are Black and Sahara (beige)

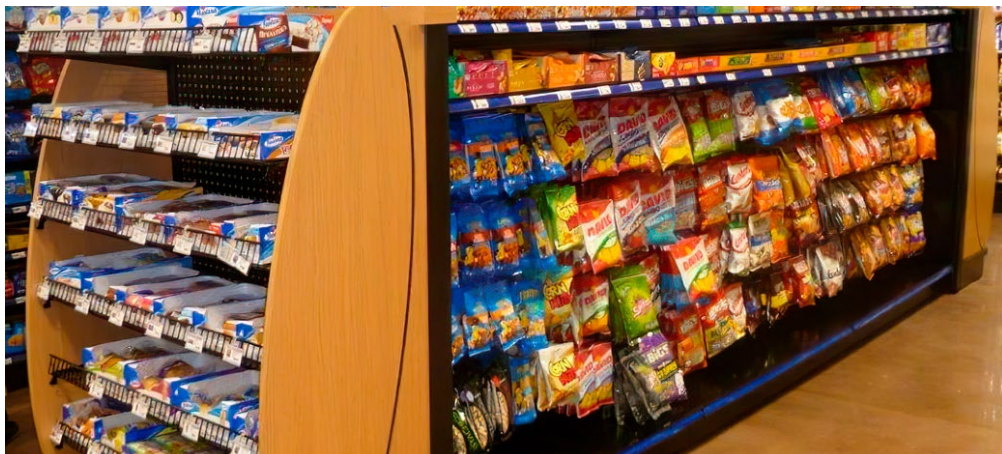


POWER WING HOOK

- Length 4"
- Standard stock color is galvanized
- Includes label holder

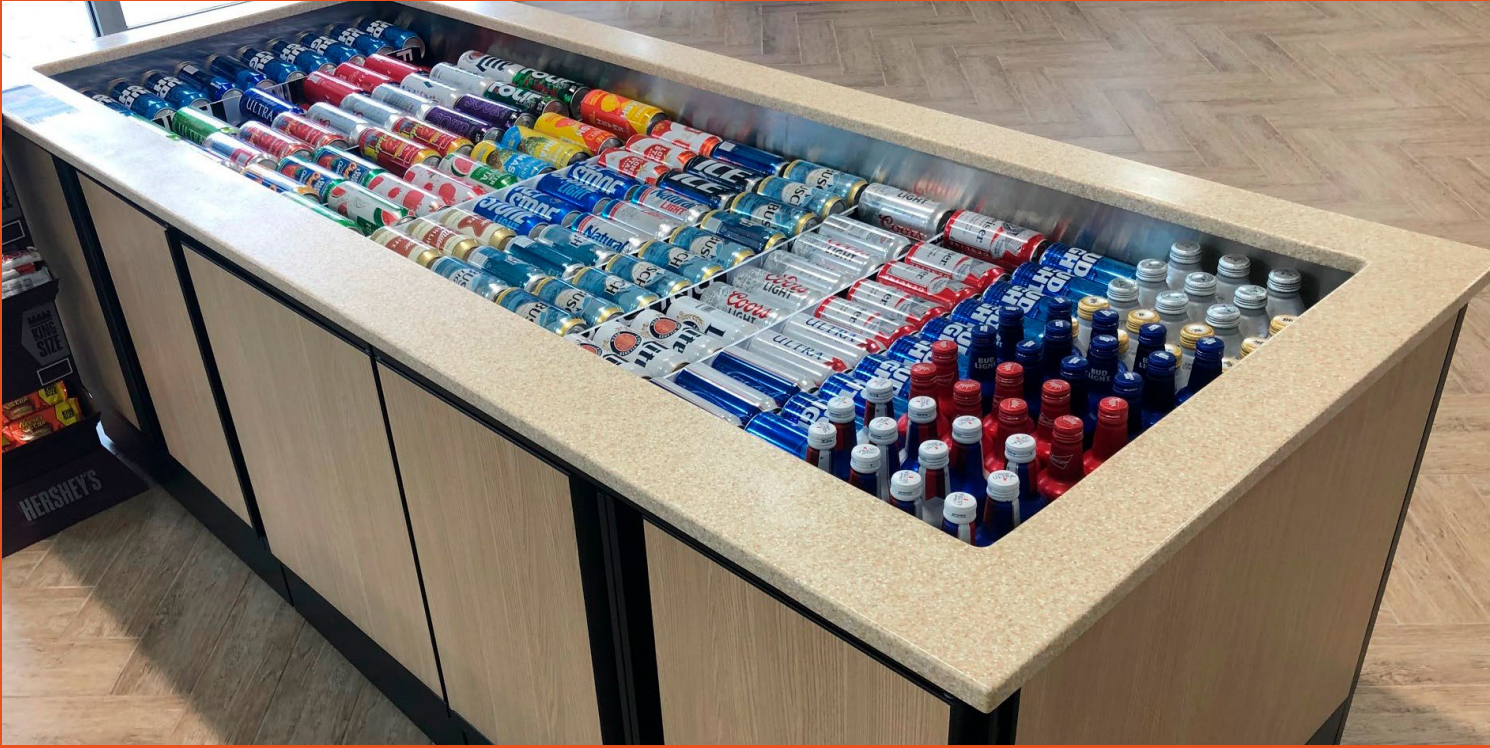


Madix Gondola Systems



Madix Gondola Systems





SHOPCO provides a vast assortment of Specialty Fixtures to meet your everyday merchandising needs. Can't find what you're looking for? If not, please contact your SHOPCO Representative to discuss your ideas and let us design a product to fit your specific needs!

BEER TUBS:



ORCHARD BINS:



Specialty Fixtures

BAKERY CASES:



COUNTER TOP



COUNTER TOP

Specialty Fixtures

4-WAY MERCHANDISER:



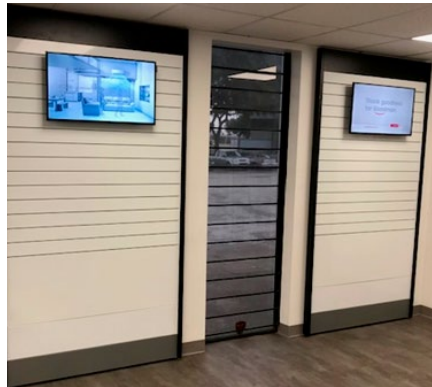
Specialty Fixtures

EATING BARS:



Specialty Fixtures

WALL COVERINGS:



CUSTOM SHELVING MERCHANDISERS:

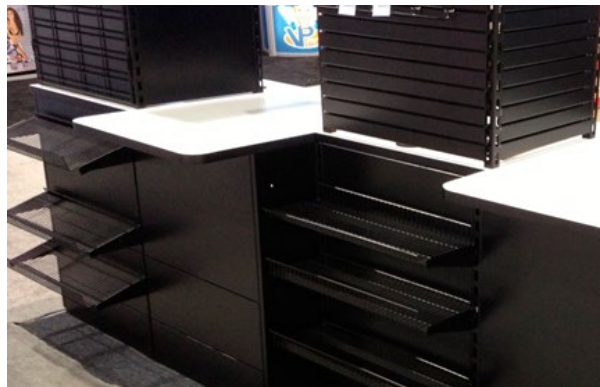
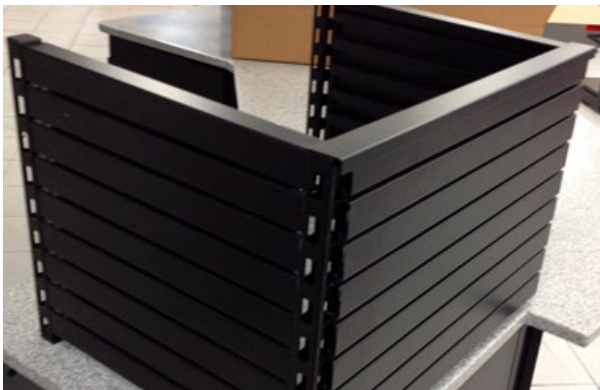


Specialty Fixtures

CUSTOM WASTE RECEPTACLES:



REGISTER SHROUDS (LAMINATED OR NON-LAMINATED):



Specialty Fixtures

MULTI-VENDOR DISPLAYS (POWERWINGS):



CUSTOM SPACE OPTIMIZATION



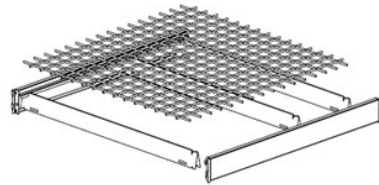
FUEL VALET:

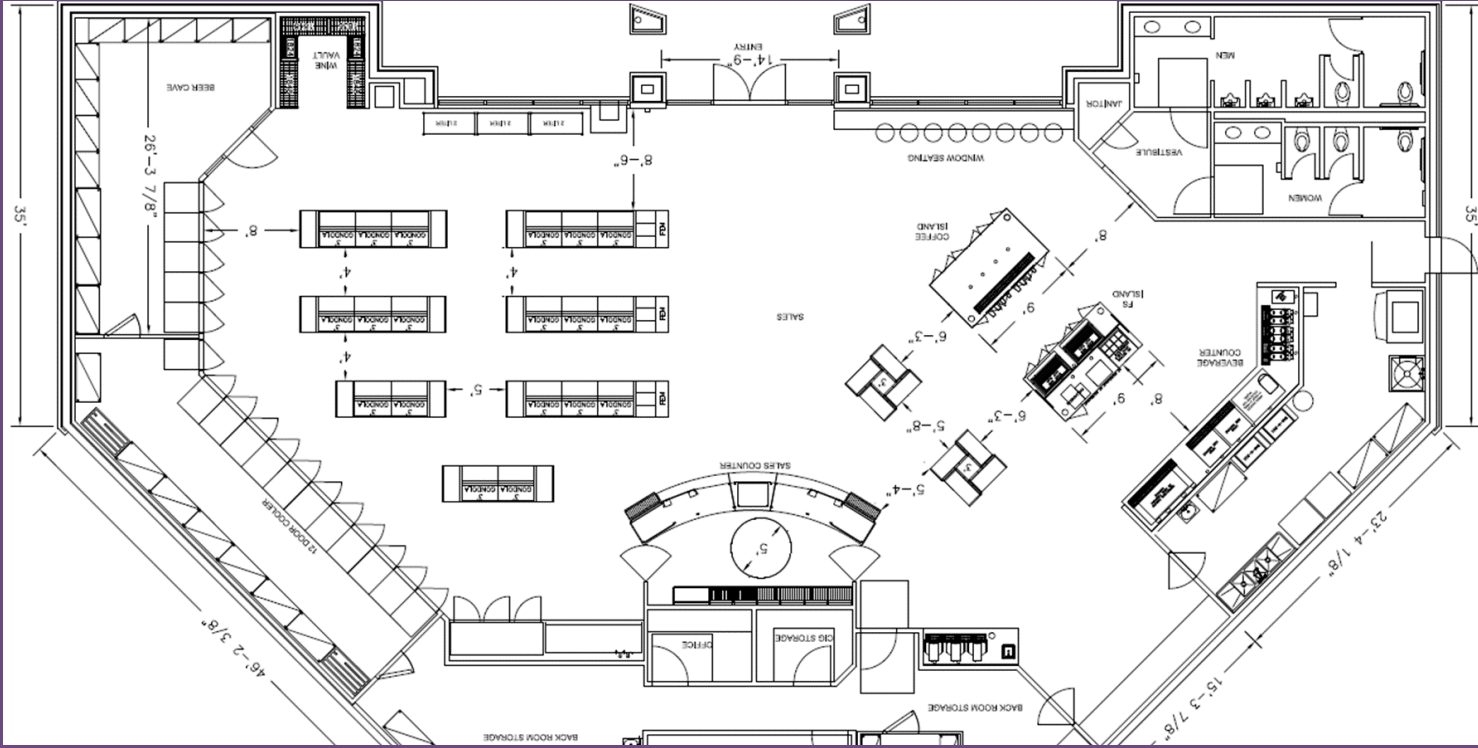


Specialty Fixtures

COOLER AND BEER CAVE SHELVING:

The Madix Wide-Span system consists of frames, beams, wire grid decks and deck supports fabricated from heavy-gauge steel with a Blue-Gray or Sahara powder coat finish to withstand the cooler environment. The sections are 60" high by 24" deep and come in 48", 72" and 96" lengths. Each shelf is capable of holding up to 1,600 lbs. of product and can be adjusted in 2" vertical increments. All frames have 10,000 lb. load capacity.



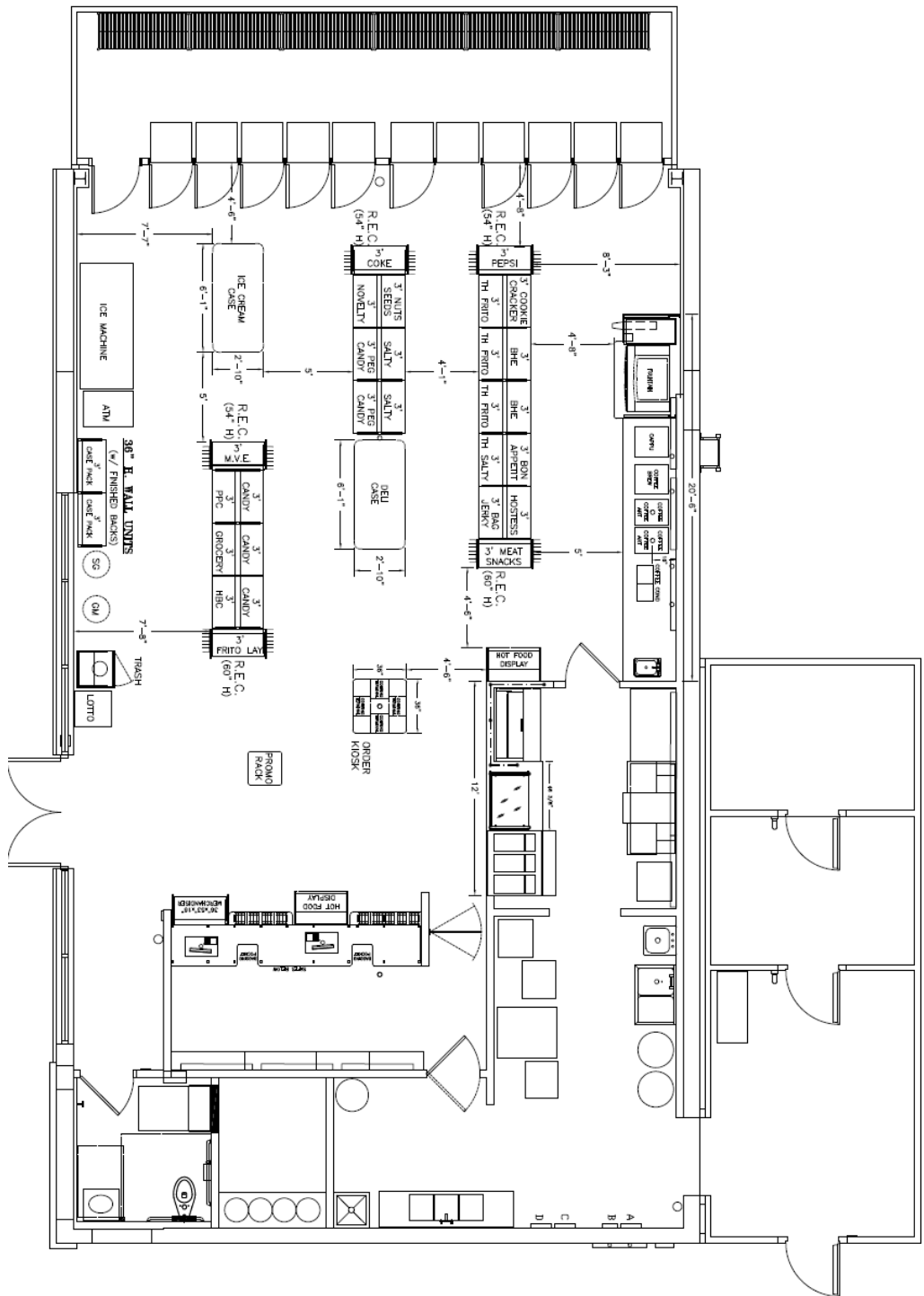


With SHOPCO's AutoCAD design service, our design department can create an exciting new Metal Cabinet layout that is customized to fit your store's specific requirements.

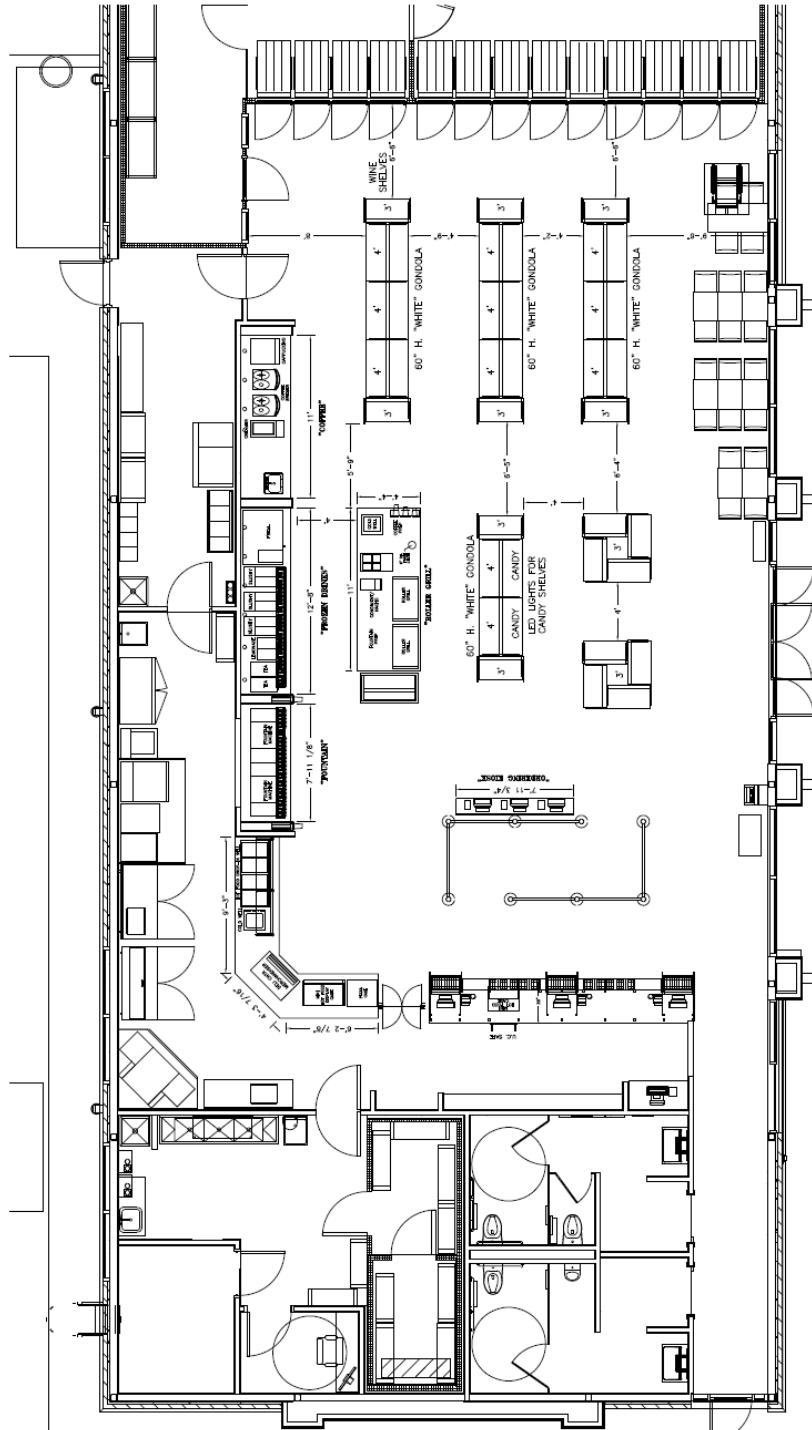
Our design department not only creates entire new store layouts, but can also retrofit your existing store in order to provide a functional design with a contemporary upscale look and feel.

Take advantage of SHOPCO's CAD Design Service today! Call to start creating your customized merchandising solutions with one of our design experts. Send your electronic architectural drawing to designcenter@shopcousa.com.

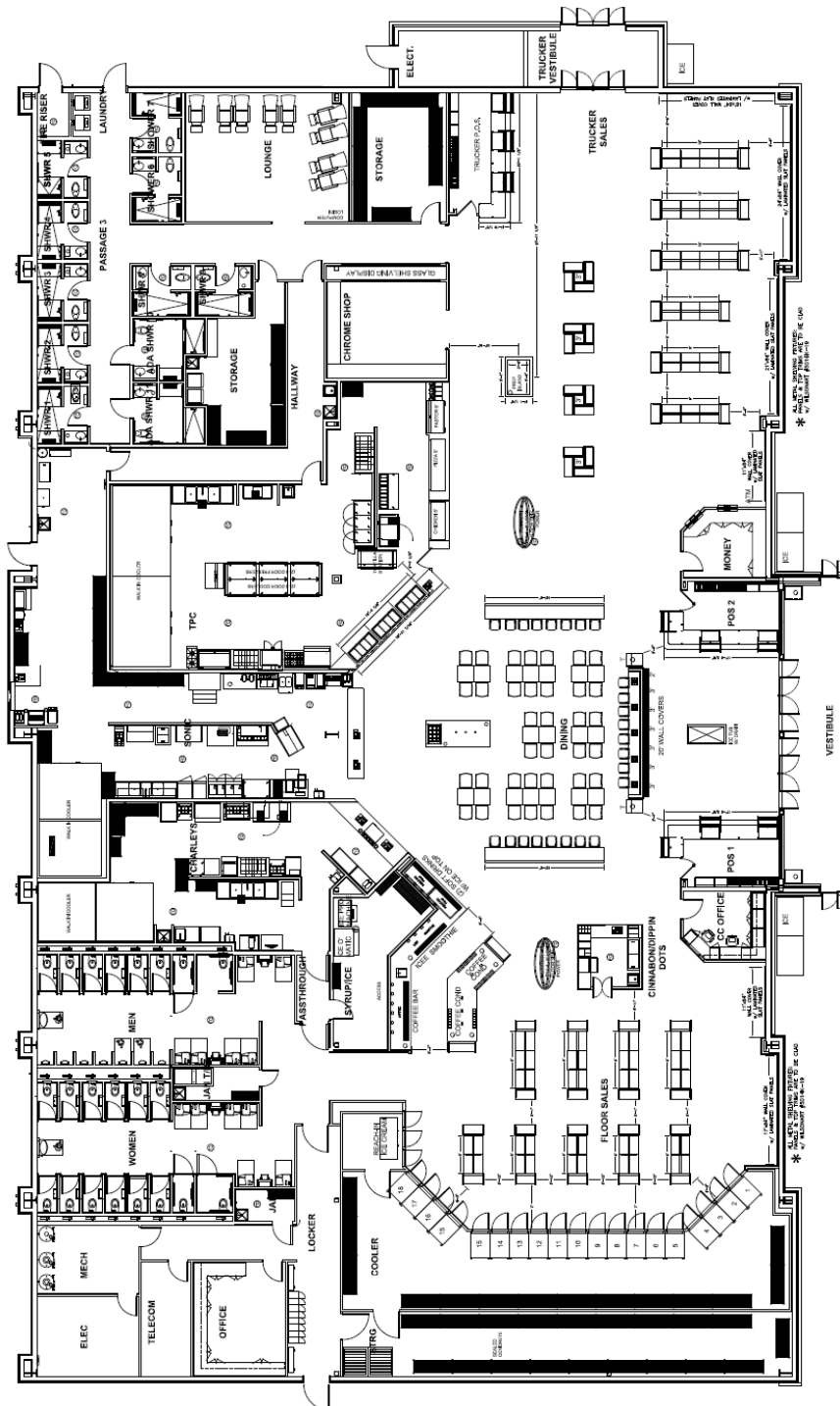
Design Services



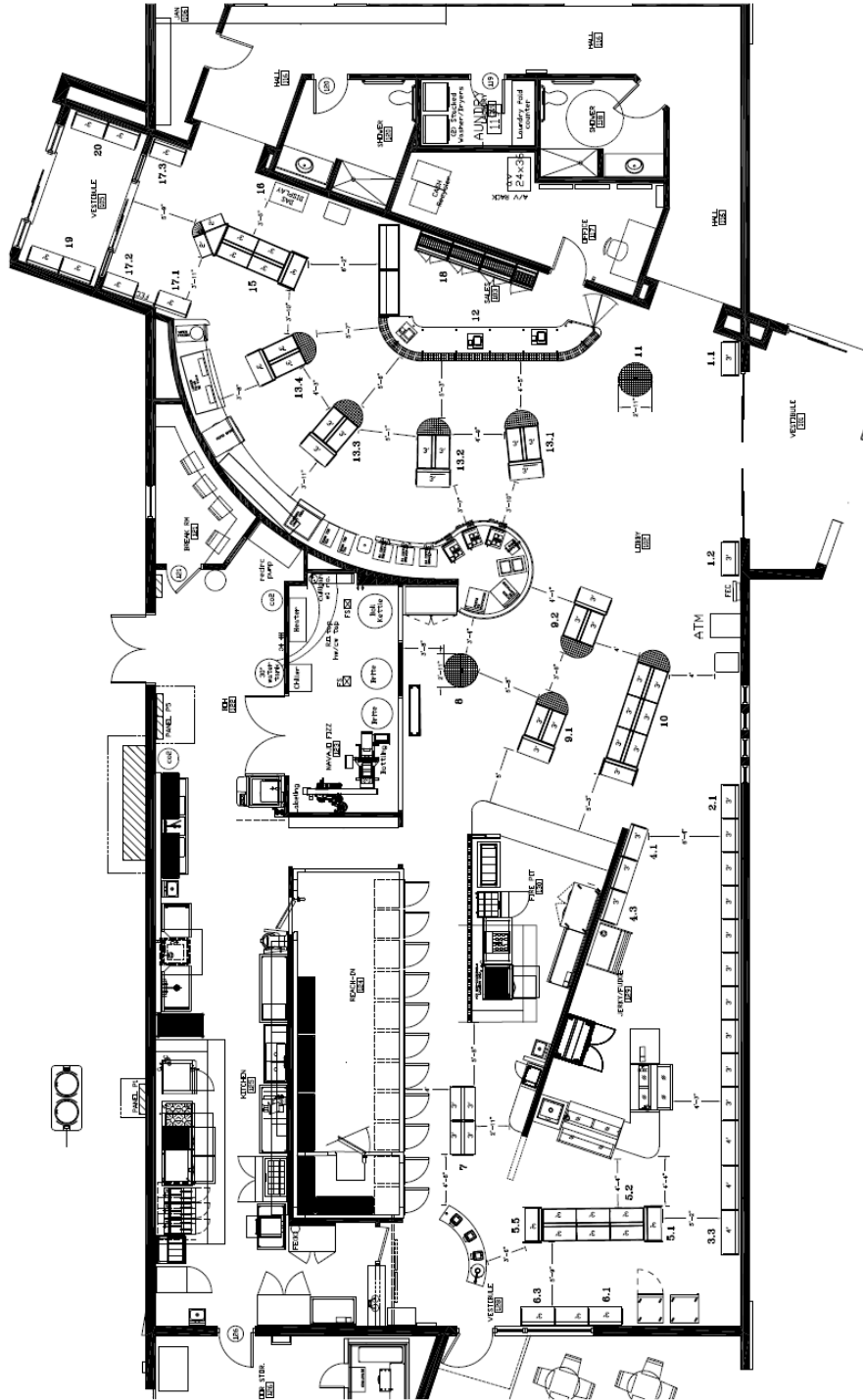
Design Services



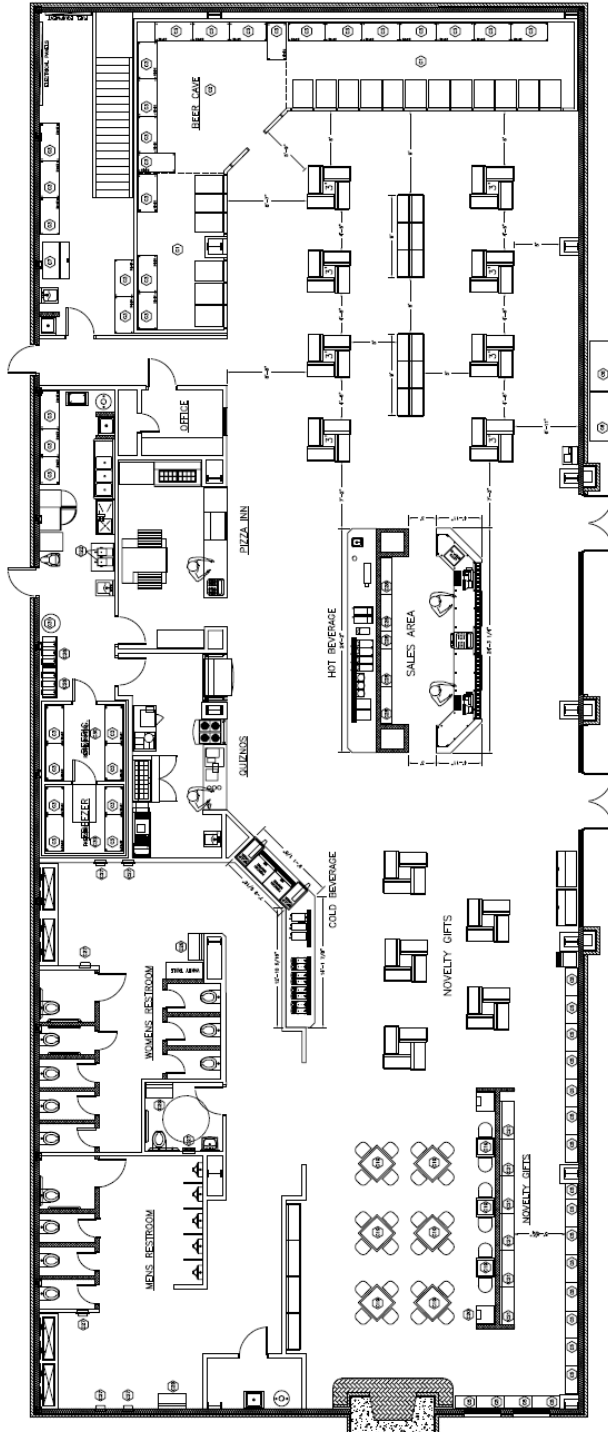
Design Services



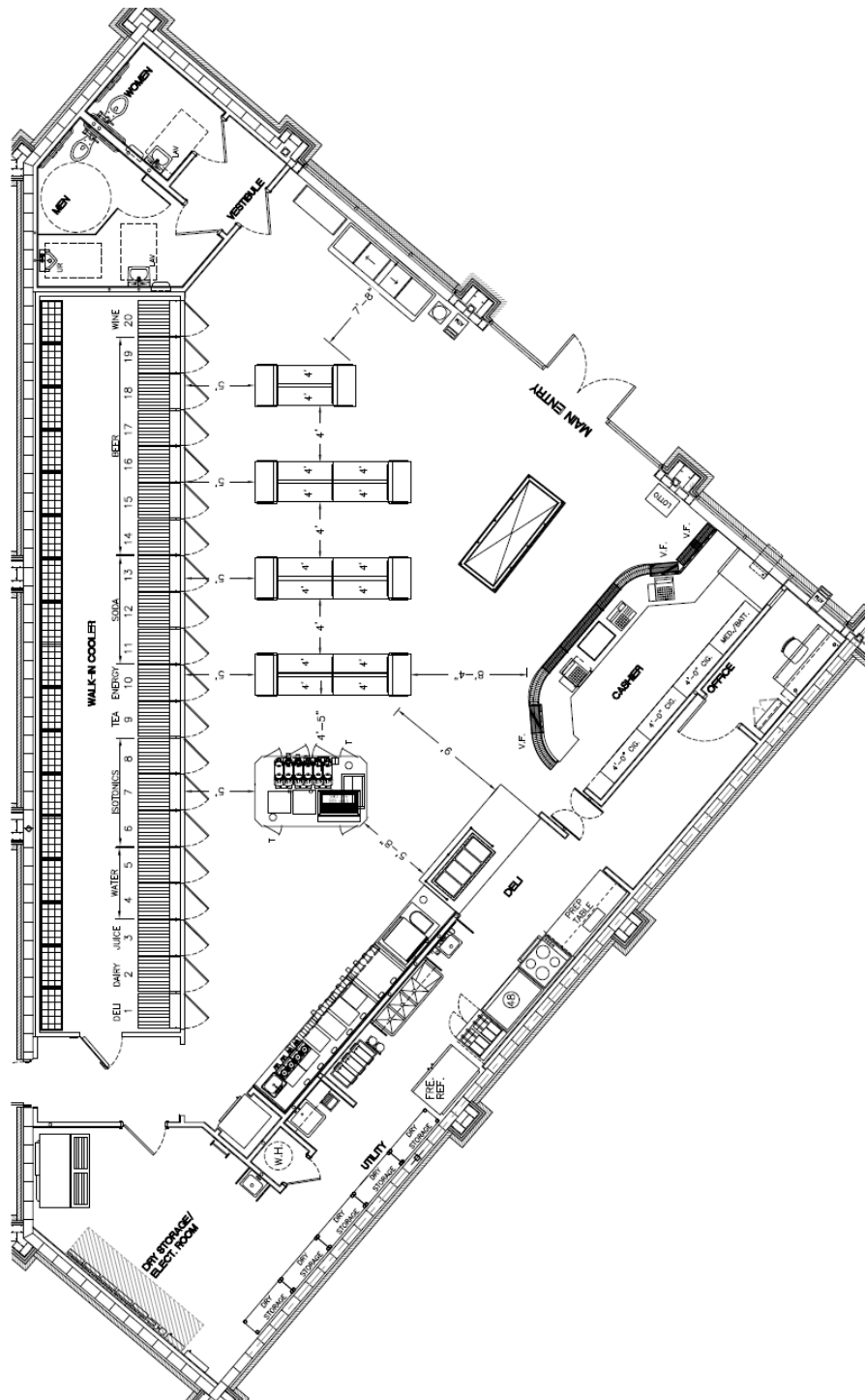
Design Services



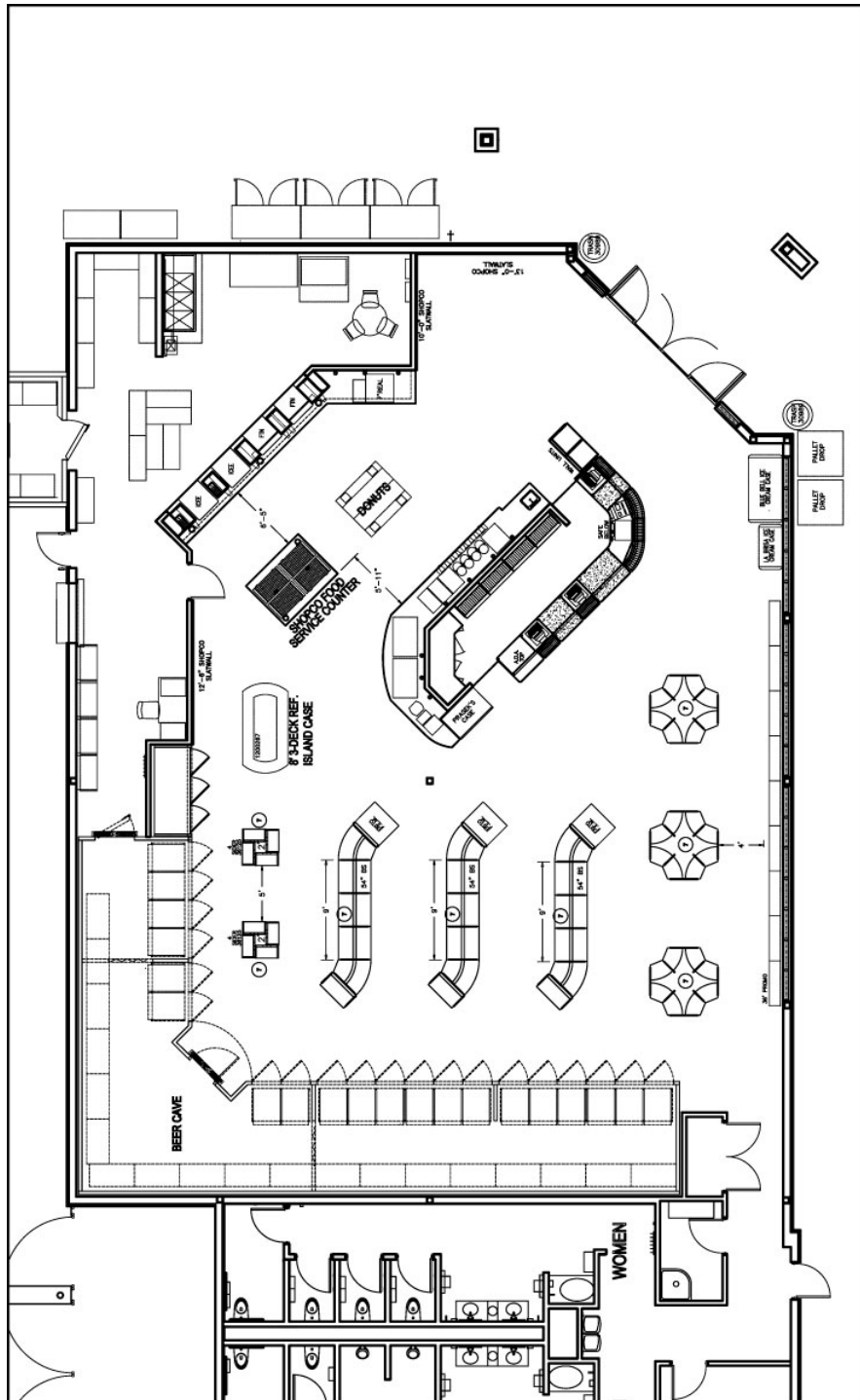
Design Services



Design Services



Design Services



RAL Color Choices

 RAL 100 49/15200	 RAL 1019 49/13660 • 8	 RAL 208 49/24340	 RAL 304 49/31080	 RAL 408 49/32280	 RAL 504 49/42320
 RAL 1001 49/15190 • 8	 RAL 1020 49/22500 • 302	 RAL 209 49/24360	 RAL 305 49/33670	 RAL 409 49/34740	 RAL 505 49/42330
 RAL 1002 49/22590 • 302	 RAL 101 49/22280	 RAL 200 49/24520	 RAL 306 49/31980	 RAL 400 49/40490	 RAL 5017 49/40760 • 37
 RAL 103 49/22580	 RAL 1023 49/22490 • 302023	 RAL 201 49/24580	 RAL 307 49/31060	 RAL 500 49/42200	 RAL 5018 49/41140 • 30
 RAL 104 49/22570	 RAL 1024 49/22480 • 302024	 RAL 202 49/24690	 RAL 308 49/31050	 RAL 501 49/42210	 RAL 5019 49/42360 • 300
 RAL 105 49/22560	 RAL 107 49/22470	 RAL 300 49/33120	 RAL 300 49/31040	 RAL 502 49/42220	 RAL 5020 49/44270 • 308
 RAL 106 49/22550	 RAL 108 49/22460	 RAL 301 49/31120	 RAL 302 49/33700	 RAL 503 49/42230	 RAL 5021 49/41190 • 30
 RAL 107 49/22540	 RAL 102 49/22450	 RAL 302 49/31110	 RAL 307 49/33660	 RAL 5004 49/42240 • 390004	 RAL 502 49/42390
 RAL 101 49/15180	 RAL 108 49/22240	 RAL 303 49/31100	 RAL 301 49/34730	 RAL 505 49/43190	 RAL 503 49/44650
 RAL 102 49/22530	 RAL 104 49/23910	 RAL 304 49/33900	 RAL 401 49/43160	 RAL 5007 49/42250 • 307	 RAL 504 49/44660
 RAL 1013 49/11280 • 8	 RAL 107 49/20096	 RAL 305 49/31900	 RAL 402 49/31030	 RAL 5008 49/42260 • 3008	 RAL 6000 49/53160 • 8
 RAL 1014 49/15170 • 8	 RAL 200 49/24570	 RAL 307 49/31910	 RAL 403 49/32270	 RAL 509 49/42270	 RAL 6001 49/52900 • 35
 RAL 1015 49/15320 • 8	 RAL 201 49/24560	 RAL 309 49/31920	 RAL 404 49/31020	 RAL 500 49/42280	 RAL 602 49/52890
 RAL 1016 49/22520 • 30	 RAL 202 49/24550	 RAL 301 49/31090	 RAL 405 49/42780	 RAL 5011 49/43180 • 301	 RAL 6003 49/52880 • 303
 RAL 107 49/22510	 RAL 203 49/24540	 RAL 3012 49/31940 • 302	 RAL 406 49/32090	 RAL 502 49/43170	 RAL 6004 49/50980 • 301
 RAL 108 49/21830	 RAL 204 49/24530	 RAL 303 49/31950	 RAL 407 49/32540	 RAL 5013 49/42310 • 303	 RAL 6005 49/50670 • 8

RAL Color Choices

 RAL 6006 49/52870 • 2	 RAL 6022 49/52890 • 27	 RAL 7006 49/72580 • 2	 RAL 7030 49/72890 • 27	 RAL 7045 49/77890 • 2	 RAL 8019 49/65490 • 2
 RAL 6007 49/52860 • 7	 RAL 6034 49/52880	 RAL 7028 49/72570	 RAL 7031 49/72520 • 2	 RAL 7046 49/72010 • 27	 RAL 8022 49/63080 • 27
 RAL 6008 49/53240 • 30B	 RAL 6035 49/52670	 RAL 7009 49/72770 • 2	 RAL 7032 49/72910 • 2	 RAL 7047 49/72020 • 27	 RAL 8023 49/66070 • 2
 RAL 6009 49/52840 • 30B	 RAL 6026 49/52680 • 8	 RAL 7010 49/72580 • 2	 RAL 7033 49/72510 • 2	 RAL 800 49/66170	 RAL 8024 49/66060 • 2
 RAL 6010 49/52830 • 20A	 RAL 6027 49/50990 • 27	 RAL 7011 49/72790 • 2	 RAL 7034 49/72500	 RAL 8001 49/66160 • 8	 RAL 8025 49/66050 • 8
 RAL 6011 49/52820 • 2	 RAL 6028 49/52650 • 2	 RAL 7012 49/71180 • 2	 RAL 7035 49/73510 • 8	 RAL 8002 49/66150 • 2	 RAL 8028 49/66500 • 2
 RAL 6012 49/51540 • 8	 RAL 6029 49/52640 • 30B	 RAL 7013 49/72550 • 2	 RAL 7036 49/72950 • 2	 RAL 8003 49/66140 • 2	 RAL 9001 49/10016 • 8
 RAL 6013 49/52810 • 2	 RAL 6032 49/52630 • 27	 RAL 7015 49/72820 • 2	 RAL 7037 49/72480 • 27	 RAL 8004 49/66130 • 2	 RAL 9002 49/70520 • 27
 RAL 604 49/52800	 RAL 6033 49/55010 • 2	 RAL 7016 49/72830 • 2	 RAL 7038 49/72470 • 27	 RAL 8007 49/66120 • 8	 RAL 9003 49/11400 • 20B
 RAL 605 49/52790	 RAL 6034 49/55020 • 20A	 RAL 7021 49/72540 • 2	 RAL 7039 49/71020 • 27	 RAL 8008 49/66110 • 2	 RAL 9004 49/81950 • 20A
 RAL 6016 49/51020 • 8	 RAL 7000 49/72700 • 27	 RAL 7022 49/72850 • 27	 RAL 7040 49/75470 • 2	 RAL 8011 49/66100 • 8	 RAL 9005 49/82830 • 20D
 RAL 6017 49/52780 • 2	 RAL 701 49/72710	 RAL 7023 49/72530 • 27	 RAL 7042 49/73250 • 27	 RAL 8012 49/66090 • 2	 RAL 9010 49/11500 • 2
 RAL 6018 49/52720 • 2	 RAL 7002 49/72720 • 27	 RAL 7024 49/72870 • 27	 RAL 7043 49/72460 • 20B	 RAL 8014 49/65230 • 2	 RAL 9011 49/80540
 RAL 6019 49/51000 • 2	 RAL 702 49/72600	 RAL 7026 49/72880 • 27	 RAL 7044 49/75480 • 20A	 RAL 805 49/63040	 RAL 9016 49/11340 • 2
 RAL 6020 49/52710 • 2	 RAL 7004 49/73300 • 20A			 RAL 8016 49/66080 • 8	 RAL 9017 49/80550 • 7
 RAL 6021 49/52700 • 2	 RAL 7005 49/72590 • 2			 RAL 8017 49/65220 • 2	 RAL 9018 49/72490 • 20B

Solid Surface Choices

Here are the group categories for Solid Surface Colors supplied by SHOPCO:

- Group A - Lower Price Level
- Group B - Lower/Mid Price Level
- Group C - Mid Price Level
- Group D - Upper Price Level

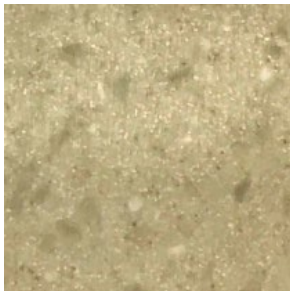
The below Solid Surface Colors are maintained in inventory at SHOPCO's warehouse.

Note: Other Manufacturers and Colors can be supplied by SHOPCO, however the above groups are the colors most commonly used and readily available from the Manufacturer.

Benefits of these choices:

- Quality of inventory choices
- Because these are inventoried; product cost is lower, its readily available, and expedites the fabrication process for counter tops

GROUP A



HI-MACS MOONSCAPE QUARTZ

GROUP B



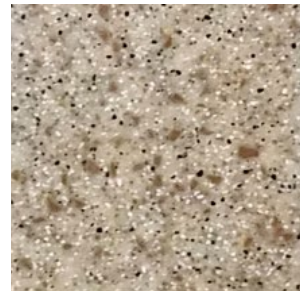
HI-MACS STORM GRANITE

GROUP B



HI-MACS GRAPHITE GRANITE

GROUP C



LIVINGSTONE SEDONA

For more information about the attached colors in the presentation, feel free to utilize the following site: www.lghausyusa.com/hi-macs/index.do.

Solid Surface Choices

SOLID SURFACE - HI-MACS GROUP A



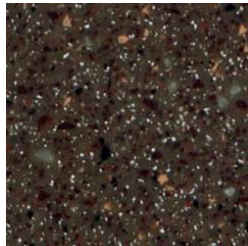
* SOME COLORS EXHIBIT INCREASED MOVEMENT AND VARIATION OF COLOR AND PATTERN WHICH CANNOT BE FULLY RECOGNIZED ON SOME SAMPLES.

* SOME COLORS CONTAIN LINEAR PATTERNS THAT CANNOT BE FULLY RECOGNIZED ON SOME SAMPLES. THE LINEAR PATTERN MAY VARY BY EACH PRODUCT.

* SOME COLORS ARE TRANSLUCENT AND PROVIDES A SENSUOUS LOOK WHEN COMBINED WITH LIGHT SOURCES.

Solid Surface Choices

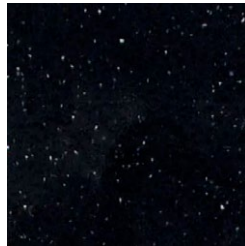
SOLID SURFACE - HI-MACS GROUP B



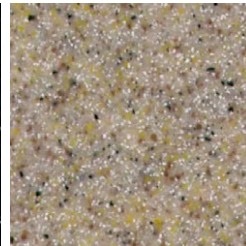
ALLSPICE QUARTZ



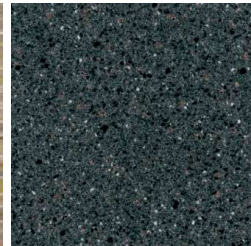
ARMADILLO



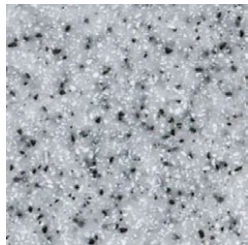
BLACK PEARL



DESERT SAND



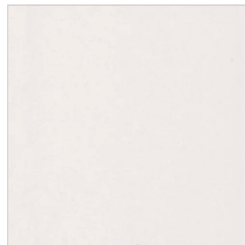
GRAPHITE GRANITE



GRAY SAND



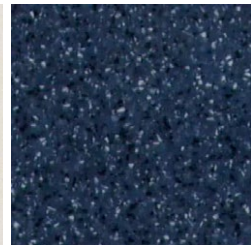
HARVEST



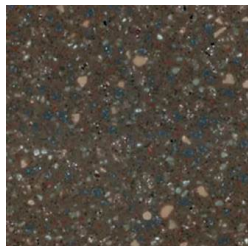
LUNAR SAND



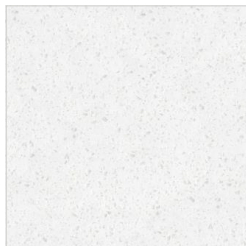
MERINO



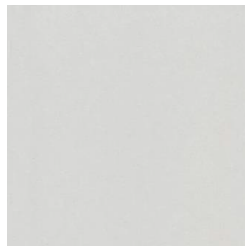
MIDNIGHT PEARL



MOCHA GRANITE



MOONDUST



PEBBLE PEARL



SEA OAT QUARTZ



STORM GRANITE



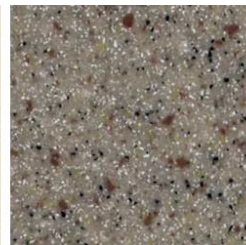
TAPIOCA PEARL



TRAIL GRAY



VANILLA SUGAR



VENETIAN SAND



WHITE GRANITE

* SOME COLORS EXHIBIT INCREASED MOVEMENT AND VARIATION OF COLOR AND PATTERN WHICH CANNOT BE FULLY RECOGNIZED ON SOME SAMPLES.

* SOME COLORS CONTAIN LINEAR PATTERNS THAT CANNOT BE FULLY RECOGNIZED ON SOME SAMPLES. THE LINEAR PATTERN MAY VARY BY EACH PRODUCT.

* SOME COLORS ARE TRANSLUCENT AND PROVIDES A SENSUOUS LOOK WHEN COMBINED WITH LIGHT SOURCES.

Solid Surface Choices

SOLID SURFACE - HI-MACS GROUP C



* SOME COLORS EXHIBIT INCREASED MOVEMENT AND VARIATION OF COLOR AND PATTERN WHICH CANNOT BE FULLY RECOGNIZED ON SOME SAMPLES.

* SOME COLORS CONTAIN LINEAR PATTERNS THAT CANNOT BE FULLY RECOGNIZED ON SOME SAMPLES. THE LINEAR PATTERN MAY VARY BY EACH PRODUCT.

* SOME COLORS ARE TRANSLUCENT AND PROVIDES A SENSUOUS LOOK WHEN COMBINED WITH LIGHT SOURCES.

Solid Surface Choices

SOLID SURFACE - HI-MACS GROUP C



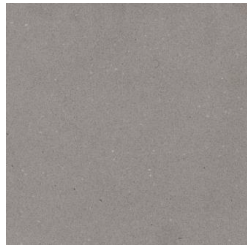
* SOME COLORS EXHIBIT INCREASED MOVEMENT AND VARIATION OF COLOR AND PATTERN WHICH CANNOT BE FULLY RECOGNIZED ON SOME SAMPLES.

* SOME COLORS CONTAIN LINEAR PATTERNS THAT CANNOT BE FULLY RECOGNIZED ON SOME SAMPLES. THE LINEAR PATTERN MAY VARY BY EACH PRODUCT.

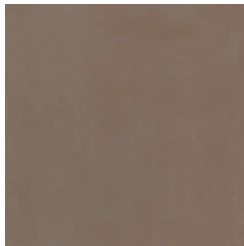
* SOME COLORS ARE TRANSLUCENT AND PROVIDES A SENSUOUS LOOK WHEN COMBINED WITH LIGHT SOURCES.

Solid Surface Choices

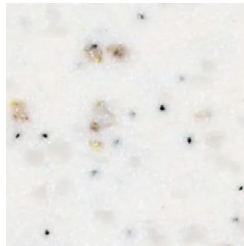
SOLID SURFACE - HI-MACS GROUP C



STEEL CONCRETE



TOFFEE BROWN



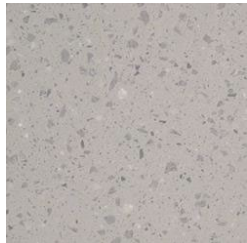
TUNDRA QUARTZ



UMBER GRANITE



URBAN CONCRETE



TERRAZZO LUNA



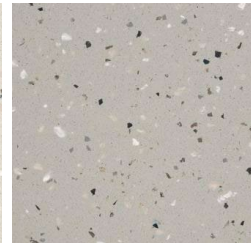
TERRAZZO GRIGIO



TERRAZZO MODERNA



TERRAZZO CLASSICO



TERRAZZO VENATO

* SOME COLORS EXHIBIT INCREASED MOVEMENT AND VARIATION OF COLOR AND PATTERN WHICH CANNOT BE FULLY RECOGNIZED ON SOME SAMPLES.

* SOME COLORS CONTAIN LINEAR PATTERNS THAT CANNOT BE FULLY RECOGNIZED ON SOME SAMPLES. THE LINEAR PATTERN MAY VARY BY EACH PRODUCT.

* SOME COLORS ARE TRANSLUCENT AND PROVIDES A SENSUOUS LOOK WHEN COMBINED WITH LIGHT SOURCES.

Solid Surface Choices

SOLID SURFACE - HI-MACS GROUP D



ANDROMEDA



ARCAS



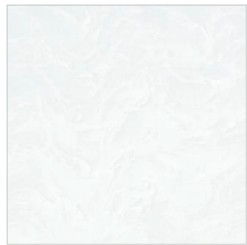
AURORA BLANC



AURORA CREAM



AURORA GRAY



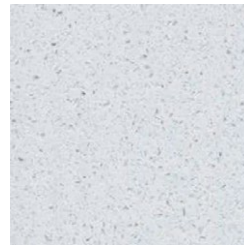
AURORA PAVIA



AURORA SANREMO



BIRCH BARK NR



CARINA



CHIC CONCRETE



CLOUD



COSMOS



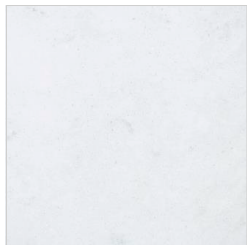
CREAM OAK



DARK WALNUT



EBONY CONCRETE



EDESSA



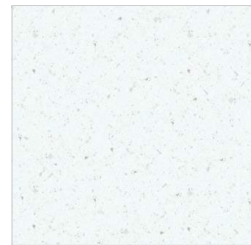
FERRARA



GENOVA



GRAY TEAK



ICE QUEEN

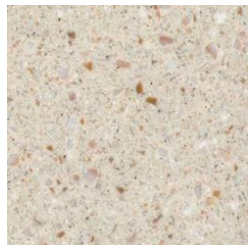
* SOME COLORS EXHIBIT INCREASED MOVEMENT AND VARIATION OF COLOR AND PATTERN WHICH CANNOT BE FULLY RECOGNIZED ON SOME SAMPLES.

* SOME COLORS CONTAIN LINEAR PATTERNS THAT CANNOT BE FULLY RECOGNIZED ON SOME SAMPLES. THE LINEAR PATTERN MAY VARY BY EACH PRODUCT.

* SOME COLORS ARE TRANSLUCENT AND PROVIDES A SENSUOUS LOOK WHEN COMBINED WITH LIGHT SOURCES.

Solid Surface Choices

SOLID SURFACE - HI-MACS GROUP D



KALA CHANA



LAGO



LUCCA



MERAPI



MILKY WAY



NAPLES



NOBLE CANE



PARMA



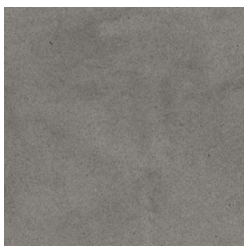
PISA



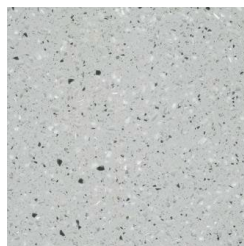
PLUTO



SATURN



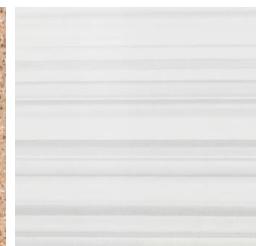
SHADOW CONCRETE



SHADOW QUEEN



SHASTA



STRATO CLOUD

* SOME COLORS EXHIBIT INCREASED MOVEMENT AND VARIATION OF COLOR AND PATTERN WHICH CANNOT BE FULLY RECOGNIZED ON SOME SAMPLES.

* SOME COLORS CONTAIN LINEAR PATTERNS THAT CANNOT BE FULLY RECOGNIZED ON SOME SAMPLES. THE LINEAR PATTERN MAY VARY BY EACH PRODUCT.

* SOME COLORS ARE TRANSLUCENT AND PROVIDES A SENSUOUS LOOK WHEN COMBINED WITH LIGHT SOURCES.

Solid Surface Choices

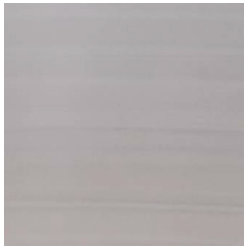
SOLID SURFACE - HI-MACS GROUP D



STRATO CREME



STRATO SAND



STRATO SLATE



STRATO TERRA



STRATO WIND



SUGAR MAPLE NR



TAMBORA



TERNI



VATHI



VENUS



VOLCANIC ICE

* SOME COLORS EXHIBIT INCREASED MOVEMENT AND VARIATION OF COLOR AND PATTERN WHICH CANNOT BE FULLY RECOGNIZED ON SOME SAMPLES.

* SOME COLORS CONTAIN LINEAR PATTERNS THAT CANNOT BE FULLY RECOGNIZED ON SOME SAMPLES. THE LINEAR PATTERN MAY VARY BY EACH PRODUCT.

* SOME COLORS ARE TRANSLUCENT AND PROVIDES A SENSUOUS LOOK WHEN COMBINED WITH LIGHT SOURCES.

Solid Surface Choices

LOOKING FOR SOMETHING ELSE?

Didn't find the Solid Surface choice you were looking for? No problem. SHOPCO is direct with multiple Solid Surface manufacturers with many colors and styles to choose from. Please review the following websites below for the product of your choice!

- LG Hi-Macs: www.lghausysusa.com/hi-macs/index.do
- Wilsonart: www.wilsonart.com/solid-surfaces
- Corian: www.corian.com
- Samsung/Staron: www.jvlsss.com/samsung-staron
- Basix: www.basixsurfaces.com/basix-solid-surface
- Livingstone: www.livingstonesurfaces.com
- Meganite: www.meganite.com/home
- Avonite: www.aristechsurfaces.com/avonite?lang=en
- Bellavati: www.wehaus.com/category-s/2561.htm
- Durasein: www.durasein.com/surfaces

Laminate Choices



TRANQUILITY



SIMPLICITY



NATURAL BAMBOO



STRAIGHTAWAY OAK



CLEAR MAPLE



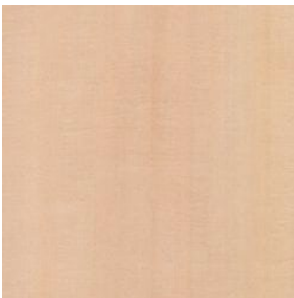
VERMONT MAPLE



CHAI



BEIGE RENAISSANCE



FINE SYCAMORE



CALUNA CHERRY



GOLDEN ANIGRE



SCANDIA MAPLE



SIREN MAPLE



GOLDEN ASH



GRAND ISLE MAPLE



CARMEL SAGAWOOD

Laminate Choices



GENTRY OAK



ANTOCCINO



WEATHERED STORM



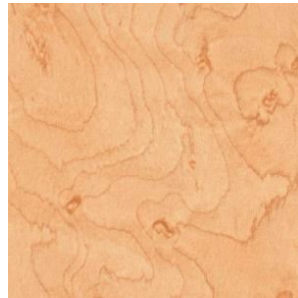
RECON OAK



KINDRED SPIRIT



SUNBEAM



HONEY MAPLE



ILLUSTRIOUS MAPLE



SHIBUI WOODPRINT



MEDITATION ELM



PLANETREE MAPLE



DRAGONFLY



LUMINARY TEAK



LEGENDARY TEAK



ZULU



CARAJILLO

Laminate Choices



ICONIC MAPLE



BAILEY



MODERN EDGE



RUGGED TRAIL



OUTER LIMITS



WHISPERING WIND



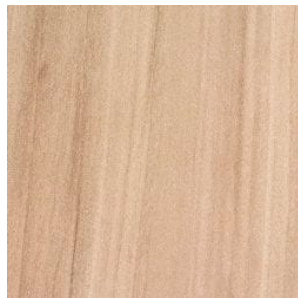
TOPAZ KHAYAWOOD



GIANT GRAY BAMBOO



BREVE



DRY CREEK PLUM TREE



AMBER PEARWOOD



CUTTING EDGE



MAZAGRAN



RUSTIC QUARTERED OAK



MACCHIATO



TANGIER ANIGRE

Laminate Choices



BLOSSOM CHERRY



COGNAC BIRDSEYE



TAWNY SATINWOOD



VANTAGE POINT WALNUT



VENERABLE OLD OAK



SHEFFIELD CHERRY



VALENCIA TEAK



PALAZZO



TENDU



BABBLING BROOK



BOHEMIAN EDGE



GALAO



BRAVE SPIRIT



KOA PEELING



MAROCCHINO



EDENWOOD

Laminate Choices



GLISTENING TRAIL



STOUT WALNUT



UNTOLD JOURNEY



ROARING WIND



SANTA ROSA PLUM TREE



CARMEL MACCHIATO



KONA BLEND



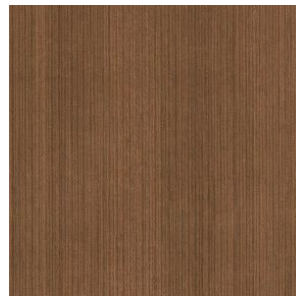
ENDLESS JOURNEY



VALET AVAILABLE



MID-MOD WALNUT



MIESIAN



XANADU BLUE BAMBOO



EXTREME GREEN BAMBOO



KENTUCKY KRAFTWOOD



VALIDATE WE DO



KENDO

Laminate Choices



WASHINGTON APPLE



MIKADO WOODPRINT



SOVEREIGN CHERRY



CROWN CHERRY



ROYAL MAHOGANY



GALLOWAY BURL



CREST MAHOGANY



RED DRAGON BAMBOO



REGENCY MAHOGANY

Laminate Choices

LOOKING FOR SOMETHING ELSE?

Didn't find the Solid Surface choice you were looking for? No problem. SHOPCO is direct with multiple Solid Surface manufacturers with many colors and styles to choose from. Please review the following websites below for the product of your choice!

Didn't find the Laminate choice you were looking for? No problem. SHOPCO is direct with multiple Laminate manufacturers with many colors and styles to choose from. Please review the following websites below for the product of your choice!

- Wilsonart: www.wilsonart.com/laminate
- Formica: www.formica.com/en-us/products/lamhome/colors
- Nevamar/Pionite/Panolam: www.panolam.com/pionite

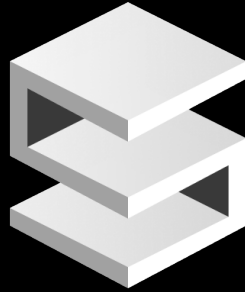


SHOPCO USA



**With Over 400 Years of Experience,
Our Team is Ready to Serve You!**





SHOPCO USA

**DISCOVER THE
SHOPCO DIFFERENCE!**

SHOPCO USA

7171 W. Sam Houston Parkway North
Houston, TX 77040

PHONE: 713.934.2900 | FAX: 713.934.2929

Copyright © 2023 SHOPCO USA Inc. All rights reserved.

SHOPCOUSA.COM